



# Series SFL-Z

## HOUSING AVAILABLE IN THESE COLORS



FOR HOUSINGS IN WHITE COLORS JUST ADD "-W" TO PART NUMBER (example "code 74201SZ-W")

### TECHNICAL INFORMATION

- **Complete sealed units.**
- **Resistance to corrosion:**
  - Polyamide version (PA): good resistance to many corrosive chemicals such as water, oils, greases, gasoline, milk, wine, alcoholic beverages.
- **Load capacity:**
  - Polyamide version (PA): high load capacity.
- **Continuous operating temperature:**
  - Polyamide version (PA): from 0°F to +195°F. This version maintains good dimensional stability at the maximum indicated temperature.
- **Economical operation.**
  - Long life, maintenance free.
- **Self-alignment:**
  - Max. misalignment between shaft and housing: 2°.
- **Concept and design to meet all safety requirements.**



**Flanged bearing support series SFL-Z for plain shafts**  
 dia  $\frac{1}{2}$ " -  $\frac{9}{16}$ " -  $\frac{5}{8}$ " -  $\frac{11}{16}$ " -  $\frac{3}{4}$ "



see also... Features: page 176

---

Lubrication/maintenance: 177

---

Mounting instructions: 178

---

Calculation of load capacity and bearing life: 180

---

Accessories: 172

---

Chemical resistance: 188

### COMPONENTS

- 1 Housing in plastic material.
- 2 Adjustable ball bearing, pre-lubricated by means of grease-nipple or a quick coupler.
- 3 Ball-type grease-nipple.
- 4 Clip-on safety cap (closed version).
- 5 Clip-on safety cap (open version).
- 6 Rotary shaft seal ring with extra dust-protection lip.
- 7 Heavy duty O-Ring.

### MAX. RADIAL LOAD CAPACITY OF HOUSING

Values indicated in the table above, are obtained at 73°F. Strength of housing indicated on page 180.

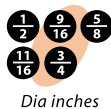
### VERSION IN POLYAMIDE (PA) MATERIALS

- Reinforced polyamide housing.
- High quality ball bearing in chrome steel.
- Grease-nipple in stainless steel.
- Safety cap in polypropylene.
- Seal and O-Ring in NBR-rubber.

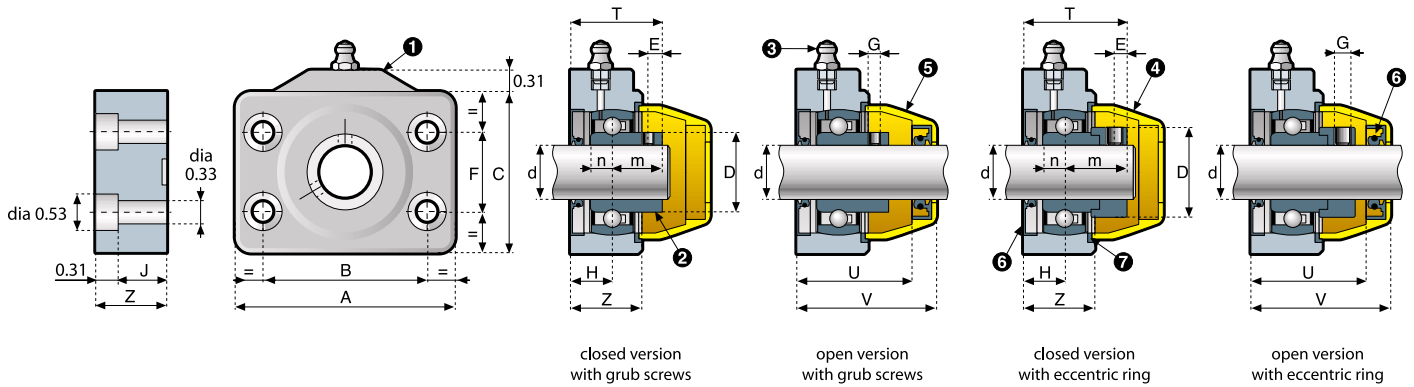
### COLOR

- Bearing support in black and white.
- Safety cap in yellow.
- For sufficient quantities parts can be produced in different colors.

AVAILABLE ON SPECIAL



# Series SFL-Z



closed version  
with grub screws

open version  
with grub screws

closed version  
with eccentric ring

open version  
with eccentric ring

Ø d inch.	code version		dimensions (inches)														bearing load ratings		max. radial load capacity on plastic housing (lbf)	weight (lb)	
	closed	open	A	B	C	D	E	F	G	H	J	Z	T	m	n	U	V	dynamic C (lbf)			static Co (lbf)
<b>SHAFT LOCKING WITH GRUB SCREWS</b>																					
1/2	74201SZ	79201SZ	3.15	2.36	2.36	0.95	0.21	1.18	1/4 UNF	0.65	0.71	1.02	1.27	0.62	0.26	1.61	1.97	1640	1070	1460	0.55
9/16	74202SZ	79202SZ	3.15	2.36	2.36	0.95	0.21	1.18	1/4 UNF	0.65	0.71	1.02	1.27	0.62	0.26	1.61	1.97	1640	1070	1460	0.55
5/8	74016SZ	79016SZ	3.15	2.36	2.36	0.95	0.21	1.18	1/4 UNF	0.65	0.71	1.02	1.27	0.62	0.26	1.61	1.97	1640	1070	1460	0.55
11/16	74203SZ	79203SZ	3.15	2.36	2.36	0.95	0.21	1.18	1/4 UNF	0.65	0.71	1.02	1.27	0.62	0.26	1.61	1.97	1640	1070	1460	0.55
3/4	74204SZ	79204SZ	3.15	2.36	2.36	1.12	0.21	1.18	1/4 UNF	0.59	0.71	1.02	1.31	0.72	0.30	1.61	1.97	2210	1480	1400	0.66
<b>SHAFT LOCKING WITH ECCENTRIC RING</b>																					
1/2	74201SZB	79201SZB	3.15	2.36	2.36	1.12	0.20	1.18	1/4 UNF	0.65	0.71	1.02	1.52	0.87	0.26	1.61	1.97	1640	1070	1460	0.62
9/16	74202SZB	79202SZB	3.15	2.36	2.36	1.12	0.20	1.18	1/4 UNF	0.65	0.71	1.02	1.52	0.87	0.26	1.61	1.97	1640	1070	1460	0.62
5/8	74016SZB	79016SZB	3.15	2.36	2.36	1.12	0.20	1.18	1/4 UNF	0.65	0.71	1.02	1.52	0.87	0.26	1.61	1.97	1640	1070	1460	0.62
11/16	74203SZB	79203SZB	3.15	2.36	2.36	1.12	0.20	1.18	1/4 UNF	0.65	0.71	1.02	1.52	0.87	0.26	1.61	1.97	1640	1070	1460	0.62
3/4	74204SZB	79204SZB	3.15	2.36	2.36	1.31	0.20	1.18	1/4 UNF	0.59	0.71	1.02	1.51	0.92	0.30	1.61	1.97	2210	1480	1400	0.77

AVAILABLE ON  
SPECIAL



Polypropylene

HOUSINGS IN POLYPROPYLENE CAN BE FURNISHED UNDER REQUEST.  
FOR FURTHER INFORMATION CONTACT OUR ENGINEERING DEPARTMENT.

The dimensions of the housings related to codes printed in bold letters, are unified according to the international standards.

# Series UCFQ-R



Flange bearing with solid housings series UCFQ-R for plain shafts

dia  $\frac{1}{2}$ " -  $\frac{9}{16}$ " -  $\frac{5}{8}$ " -  $\frac{11}{16}$ " -  $\frac{3}{4}$ "  
 $1$ " -  $1\frac{3}{16}$ " -  $1\frac{1}{4}$ " -  $1\frac{7}{16}$ " -  $1\frac{1}{2}$ "



see also... Features: page 176

Lubrication/maintenance: 177

Mounting instructions: 178

Calculation of load capacity and bearing life: 180

Accessories: 172

Chemical resistance: 188

**ON REQUEST  
THESE SUPPORTS  
ARE AVAILABLE WITH**

HOUSING AVAILABLE  
IN THESE COLORS



FOR HOUSINGS IN WHITE COLORS JUST  
ADD "-W" TO PART NUMBER  
(example "code 74201VR-W")

## TECHNICAL INFORMATION

- Complete sealed units.
- Resistance to corrosion.
- High load capacity.
- Good dimensional stability at the maximum indicated temperature.
- Self-alignment:  
Max.misalignment between shaft and housing: 2.0°.
- Low maintenance and trouble-free operation.
- Easy cleaning.
- Ball bearing pre-lubricated with long-life grease, which is ideal in applications within humid conditions, water, alkaline or acid solutions.
- Concept and design to meet all safety requirements.
- Interchangeability:  
Interchangeable with standard cast iron flanged supports.
- Application in the food, beverage and pharmaceutical industry.

New line of flange bearings created through new technology which will help equipment builders meet the requirements of the USDA and other government agencies as they relate to the prevention of contamination of food products and the growth of bacteria.

## COMPONENTS

- 1 Housing in plastic material.
- 2 Adjustable ball bearing, pre-lubricated by means of grease-nipple or a quick coupler.
- 3 Ball-type grease-nipple.
- 4 Clip-on safety cap (closed version).
- 5 Clip-on safety cap (open version).
- 6 Spacers to reinforce bolt holes.
- 7 Rotary shaft seal ring with extra dust-protection lip.
- 8 Heavy duty O-Ring.

## MAX. RADIAL LOAD CAPACITY OF HOUSING

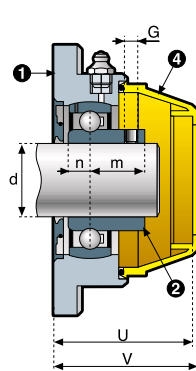
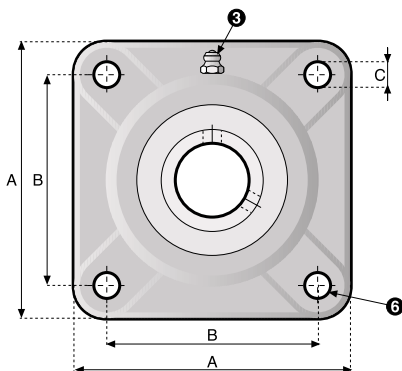
Values indicated in the table above, are obtained at 73°F. Strength of housing indicated on page 180.

## VERSION IN POLYAMIDE (PA) MATERIALS

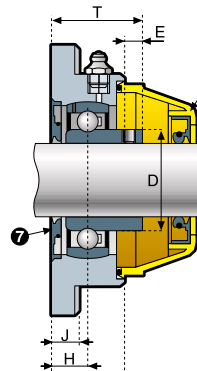
- Reinforced polyamide housing.
- High quality ball bearing in chrome steel.
- Grease-nipple in nickel plated brass.
- Safety cap in polypropylene.
- Spacers in nickel plated brass.
- Seal and O-Ring in NBR-rubber.

## COLOR

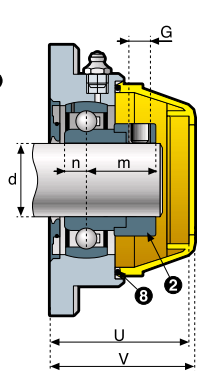
- Bearing support in grey, white or black.
- Safety cap in yellow.
- For sufficient quantities parts can be produced in different colors.



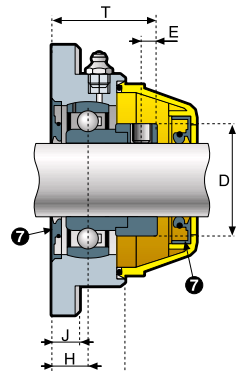
closed version with grub screws



open version with grub screws



closed version with eccentric ring



open version with eccentric ring

# Series UCFQ-R



series UCFQ-R



Plain Shaft



Dia inches



Waterproof



Polyamide

NOTE THAT THE STAINLESS STEEL INSERTS ARE AVAILABLE IN THE COMPLETELY SEALED

Ø d inch.	code GREY version		dimensions (inches)													bearing load ratings		max. radial load capacity on plastic housing PA (lbf)	weight (lb)	
	closed	open	A	B	C	D	E	G	H	J	Z	T	m	n	U	V	dynamic C (lbf)			static Co (lbf)
<b>SHAFT LOCKING WITH GRUB SCREWS</b>																				
1/2	<b>70201QR</b>	<b>75201QR</b>	2.99	2.13	0.43	0.95	0.21	1/4 UNF	0.65	0.39	1.02	1.27	0.62	0.26	1.59	1.67	1640	1070	2020	0.42
9/16	<b>70202QR</b>	<b>75202QR</b>	2.99	2.13	0.43	0.95	0.21	1/4 UNF	0.65	0.39	1.02	1.27	0.62	0.26	1.59	1.67	1640	1070	2020	0.42
5/8	<b>70016QR</b>	<b>75016QR</b>	2.99	2.13	0.43	0.95	0.21	1/4 UNF	0.65	0.39	1.02	1.27	0.62	0.26	1.59	1.67	1640	1070	2020	0.42
11/16	<b>70203QR</b>	<b>75203QR</b>	2.99	2.13	0.43	0.95	0.21	1/4 UNF	0.65	0.39	1.02	1.27	0.62	0.26	1.59	1.67	1640	1070	2020	0.42
3/4	<b>70204QR</b>	<b>75204QR</b>	3.39	2.50	0.43	1.12	0.21	1/4 UNF	0.61	0.39	1.02	1.33	0.72	0.30	1.89	1.97	2210	1480	2250	0.51
1	<b>70205QR</b>	<b>75205QR</b>	3.74	2.76	0.43	1.34	0.21	1/4 UNF	0.67	0.48	1.14	1.45	0.78	0.30	2.05	2.13	2430	1770	2430	0.75
1 3/16	<b>70206QR</b>	<b>75206QR</b>	4.25	3.25	0.43	1.57	0.23	1/4 UNF	0.57	0.48	1.14	1.44	0.87	0.35	2.20	2.28	3370	2540	2590	1.10
1 1/4	<b>70206QRA</b>	<b>75206QRA</b>	4.25	3.25	0.43	1.57	0.23	1/4 UNF	0.57	0.48	1.14	1.44	0.87	0.35	2.20	2.28	3370	2540	2590	1.10
1 7/16	<b>70207QR</b>	<b>75207QR</b>	4.65	3.62	0.55	1.84	0.29	1/4 UNF	0.71	0.62	1.30	1.71	1.00	0.38	2.36	2.44	4430	3440	2700	1.43
1 1/2	<b>70208QR</b>	<b>75208QR</b>	5.12	4.00	0.55	2.07	0.31	5/16 UNF	0.71	0.62	1.38	1.89	1.19	0.43	2.28	2.36	5040	4020	2810	1.81

<b>SHAFT LOCKING WITH ECCENTRIC RING</b>																				
1/2	<b>70201QRB</b>	<b>75201QRB</b>	2.99	2.13	0.43	1.12	0.20	1/4 UNF	0.65	0.39	1.02	1.52	0.87	0.26	1.59	1.67	1640	1070	2020	0.48
9/16	<b>70202QRB</b>	<b>75202QRB</b>	2.99	2.13	0.43	1.12	0.20	1/4 UNF	0.65	0.39	1.02	1.52	0.87	0.26	1.59	1.67	1640	1070	2020	0.48
5/8	<b>70016QRB</b>	<b>75016QRB</b>	2.99	2.13	0.43	1.12	0.20	1/4 UNF	0.65	0.39	1.02	1.52	0.87	0.26	1.59	1.67	1640	1070	2020	0.48
11/16	<b>70203QRB</b>	<b>75203QRB</b>	2.99	2.13	0.43	1.12	0.20	1/4 UNF	0.65	0.39	1.02	1.52	0.87	0.26	1.59	1.67	1640	1070	2020	0.48
3/4	<b>70204QRB</b>	<b>75204QRB</b>	3.39	2.50	0.43	1.31	0.20	1/4 UNF	0.61	0.39	1.02	1.51	0.92	0.30	1.89	1.97	2210	1480	2250	0.57
1	<b>70205QRB</b>	<b>75205QRB</b>	3.74	2.76	0.43	1.50	0.20	1/4 UNF	0.67	0.48	1.14	1.59	0.92	0.30	2.05	2.13	2430	1770	2430	0.86
1 3/16	<b>70206QRB</b>	<b>75206QRB</b>	4.25	3.25	0.43	1.75	0.24	5/16 UNF	0.57	0.48	1.14	1.62	1.05	0.35	2.20	2.28	3370	2540	2590	1.19
1 1/4	<b>70206QRAB</b>	<b>75206QRAB</b>	4.25	3.25	0.43	1.75	0.24	5/16 UNF	0.57	0.48	1.14	1.62	1.05	0.35	2.20	2.28	3370	2540	2590	1.19
1 7/16	<b>70207QRB</b>	<b>75207QRB</b>	4.65	3.62	0.55	2.19	0.28	3/8 UNF	0.71	0.62	1.30	1.86	1.15	0.38	2.36	2.44	4430	3440	2700	1.56
1 1/2	<b>70208QRB</b>	<b>75208QRB</b>	5.12	4.00	0.55	2.37	0.28	3/8 UNF	0.71	0.62	1.38	1.99	1.28	0.43	2.28	2.36	5040	4020	2810	1.96

Ø d inch.	code BLACK version		dimensions (inches)													bearing load ratings		max. radial load capacity on plastic housing PA (lbs)	weight (lb)	
	closed	open	A	B	C	D	E	G	H	J	Z	T	m	n	U	V	dynamic C (lbs)			static Co (lbs)
<b>SHAFT LOCKING WITH GRUB SCREWS</b>																				
1/2	<b>70201VR</b>	<b>75201VR</b>	2.99	2.13	0.43	0.95	0.21	1/4 UNF	0.65	0.39	1.02	1.27	0.62	0.26	1.59	1.67	1640	1070	2020	0.42
9/16	<b>70202VR</b>	<b>75202VR</b>	2.99	2.13	0.43	0.95	0.21	1/4 UNF	0.65	0.39	1.02	1.27	0.62	0.26	1.59	1.67	1640	1070	2020	0.42
5/8	<b>70016VR</b>	<b>75016VR</b>	2.99	2.13	0.43	0.95	0.21	1/4 UNF	0.65	0.39	1.02	1.27	0.62	0.26	1.59	1.67	1640	1070	2020	0.42
11/16	<b>70203VR</b>	<b>75203VR</b>	2.99	2.13	0.43	0.95	0.21	1/4 UNF	0.65	0.39	1.02	1.27	0.62	0.26	1.59	1.67	1640	1070	2020	0.42
3/4	<b>70204VR</b>	<b>75204VR</b>	3.39	2.50	0.43	1.12	0.21	1/4 UNF	0.61	0.39	1.02	1.33	0.72	0.30	1.89	1.97	2210	1480	2250	0.51
1	<b>70205VR</b>	<b>75205VR</b>	3.74	2.76	0.43	1.34	0.21	1/4 UNF	0.67	0.48	1.14	1.45	0.78	0.30	2.05	2.13	2430	1770	2430	0.75
1 3/16	<b>70206VR</b>	<b>75206VR</b>	4.25	3.25	0.43	1.57	0.23	1/4 UNF	0.57	0.48	1.14	1.44	0.87	0.35	2.20	2.28	3370	2540	2590	1.10
1 1/4	<b>70206VRA</b>	<b>75206VRA</b>	4.25	3.25	0.43	1.57	0.23	1/4 UNF	0.57	0.48	1.14	1.44	0.87	0.35	2.20	2.28	3370	2540	2590	1.10
1 7/16	<b>70207VR</b>	<b>75207VR</b>	4.65	3.62	0.55	1.84	0.29	1/4 UNF	0.71	0.62	1.30	1.71	1.00	0.38	2.36	2.44	4430	3440	2700	1.43
1 1/2	<b>70208VR</b>	<b>75208VR</b>	5.12	4.00	0.55	2.07	0.31	5/16 UNF	0.71	0.62	1.38	1.89	1.19	0.43	2.28	2.36	5040	4020	2810	1.81

<b>SHAFT LOCKING WITH ECCENTRIC RING</b>																				
1/2	<b>70201VRB</b>	<b>75201VRB</b>	2.99	2.13	0.43	1.12	0.20	1/4 UNF	0.65	0.39	1.02	1.52	0.87	0.26	1.59	1.67	1640	1070	2020	0.48
9/16	<b>70202VRB</b>	<b>75202VRB</b>	2.99	2.13	0.43	1.12	0.20	1/4 UNF	0.65	0.39	1.02	1.52	0.87	0.26	1.59	1.67	1640	1070	2020	0.48
5/8	<b>70016VRB</b>	<b>75016VRB</b>	2.99	2.13	0.43	1.12	0.20	1/4 UNF	0.65	0.39	1.02	1.52	0.87	0.26	1.59	1.67	1640	1070	2020	0.48
11/16	<b>70203VRB</b>	<b>75203VRB</b>	2.99	2.13	0.43	1.12	0.20	1/4 UNF	0.65	0.39	1.02	1.52	0.87	0.26	1.59	1.67	1640	1070	2020	0.48
3/4	<b>70204VRB</b>	<b>75204VRB</b>	3.39	2.50	0.43	1.31	0.20	1/4 UNF	0.61	0.39	1.02	1.51	0.92	0.30	1.89	1.97	2210	1480	2250	0.57
1	<b>70205VRB</b>	<b>75205VRB</b>	3.74	2.76	0.43	1.50	0.20	1/4 UNF	0.67	0.48	1.14	1.59	0.92	0.30	2.05	2.13	2430	1770	2430	0.86
1 3/16	<b>70206VRB</b>	<b>75206VRB</b>	4.25	3.25	0.43	1.75	0.24	5/16 UNF	0.57	0.48	1.14	1.62	1.05	0.35	2.20	2.28	3370	2540	2590	1.19
1 1/4	<b>70206VRAB</b>	<b>75206VRAB</b>	4.25	3.25	0.43	1.75	0.24	5/16 UNF	0.57	0.48	1.14	1.62	1.05	0.35	2.20	2.28	3370	2540	2590	1.19
1 7/16	<b>70207VRB</b>	<b>75207VRB</b>	4.65	3.62	0.55	2.19	0.28	3/8 UNF	0.71	0.62	1.30	1.86	1.15	0.38	2.36	2.44	4430	3440	2700	1.56
1 1/2	<b>70208VRB</b>	<b>75208VRB</b>	5.12	4.00	0.55	2.37	0.28	3/8 UNF	0.71	0.62	1.38	1.99	1.28	0.43	2.28	2.36	5040	4020	2810	1.96

The dimensions of the housings related to codes printed in bold letters, are unified according to the international standards.

# Series UCF-R

HOUSING AVAILABLE  
IN THESE COLORS



FOR HOUSINGS IN WHITE COLORS JUST  
ADD "-W" TO PART NUMBER  
(example "code 74204SR-W")

## TECHNICAL INFORMATION

- **Complete sealed units.**
- **Resistance to corrosion:**
  - Polyamide version (PA): good resistance to many corrosive chemicals such as water, oils, greases, gasoline, milk, wine, alcoholic beverages.
- **Load capacity:**
  - Polyamide version (PA): high load capacity.
- **Continuous operating temperature:**
  - Polyamide version (PA): from 0°F to +195°F. This version maintains good dimensional stability at the maximum indicated temperature.
- **Economical operation.**
  - Long life, maintenance free.
- **Self-alignment:**
  - Max. misalignment between shaft and housing: 2°.
- **Concept and design to meet all safety requirements.**
- **Interchangeability:**
  - Interchangeable with standard cast iron flanged supports.

ON REQUEST  
THESE SUPPORTS  
ARE AVAILABLE



**Flanged bearing support series UCF-R for plain shafts**  
dia  $\frac{3}{4}$ " - 1" -  $1\frac{3}{16}$ "  
 $1\frac{1}{4}$ " -  $1\frac{7}{16}$ " -  $1\frac{1}{2}$ "



see also... Features: page 176

Lubrication/maintenance: 177

Mounting instructions: 178

Calculation of load capacity and bearing life: 180

Accessories: 172

Chemical resistance: 188

## COMPONENTS

- 1 Housing in plastic material.
- 2 Adjustable ball bearing, pre-lubricated by means of grease-nipple or a quick coupler.
- 3 Ball-type grease-nipple (available upon request quick coupler to take semi-rigid hoses dia 0.16 inches in Rilsan, see accessories on page 132).
- 4 Clip-on safety cap (closed version).
- 5 Clip-on safety cap (open version).
- 6 Washer UNI 6592.
- 7 Spacers to reinforce bolt holes.
- 8 Rotary shaft seal ring with extra dust-protection lip.
- 9 Heavy duty O-Ring.

## MAX. RADIAL LOAD CAPACITY OF HOUSING

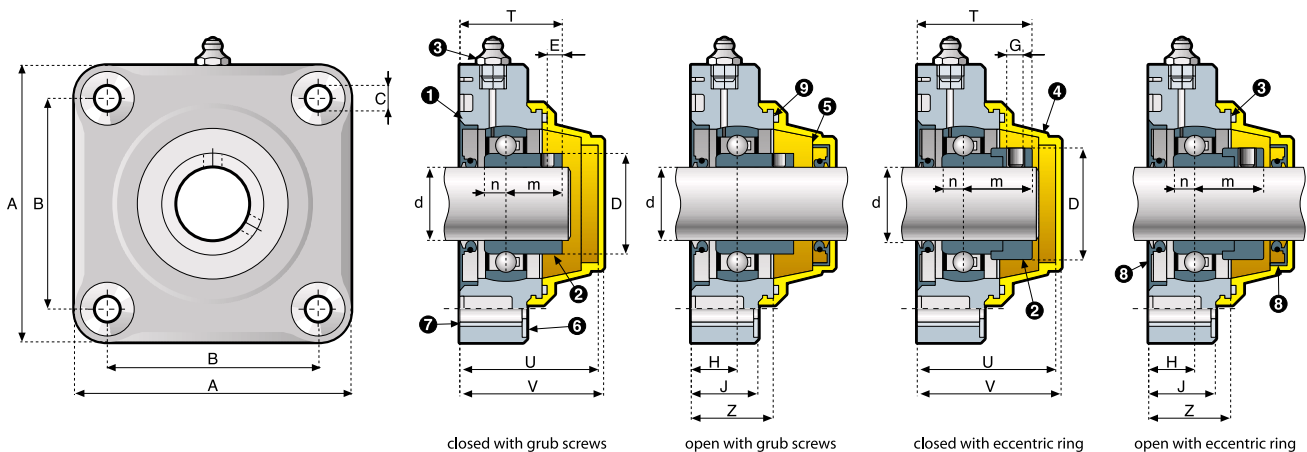
Values indicated in the table above, are obtained at 73°F. Strength of housing indicated on page 180.

## VERSION IN POLYAMIDE (PA) MATERIALS

- Reinforced polyamide housing.
- High quality ball bearing in chrome steel.
- Grease-nipple in nickel plated brass.
- Safety cap in polypropylene.
- Washers in stainless steel AISI 304 - DIN 1.4301.
- Spacers in nickel plated brass.
- Seal and O-Ring in NBR-rubber

## COLOR

- Bearing support in black and white.
- Safety cap in yellow.
- For sufficient quantities parts can be produced in different colors.



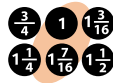
# Series UCF-R



series UCF-R



Plain Shaft



Dia inches



Waterproof



Polyamide

Ø d inch.	code version		dimensions (inches)													bearing load ratings		max. radial load capacity on plastic housing (lbf)	weight (lb)	
	closed	open	A	B	C	D	E	G	H	J	Z	T	m	n	U	V	dynamic C (lbf)			static Co (lbf)
<b>SHAFT LOCKING WITH GRUB SCREWS</b>																				
3/4	<b>70204SR</b>	<b>75204SR</b>	3.39	2.48	0.43	1.12	0.21	1/4 UNF	0.59	0.75	0.98	1.31	0.72	0.30	1.97	2.05	2210	1480	2880	0.61
3/4	70204AR	75204AR	3.86	2.75	0.43	1.12	0.21	1/4 UNF	0.59	0.75	0.98	1.31	0.72	0.30	1.97	2.05	2210	1480	2880	0.84
1	70205SR	75205SR	3.39	2.48	0.43	1.34	0.21	1/4 UNF	0.59	0.75	0.98	1.37	0.78	0.30	1.97	2.05	2420	1750	2880	0.68
1	<b>70205AR</b>	<b>75205AR</b>	3.86	2.75	0.43	1.34	0.21	1/4 UNF	0.59	0.75	0.98	1.37	0.78	0.30	1.97	2.05	2420	1750	2920	0.93
1	70205R	75205R	4.33	3.27	0.43	1.34	0.21	1/4 UNF	0.75	0.98	1.22	1.53	0.78	0.30	2.09	2.17	2420	1750	2920	1.01
1 3/16	70206SR	75206SR	4.33	3.03	0.43	1.57	0.23	1/4 UNF	0.91	0.98	1.42	1.78	0.87	0.35	2.68	2.76	3370	2540	2700	1.39
1 3/16	<b>70206R</b>	<b>75206R</b>	4.33	3.27	0.43	1.57	0.23	1/4 UNF	0.71	0.98	1.22	1.58	0.87	0.35	2.09	2.17	3370	2540	2920	1.30
1 1/4	70206PR	75206PR	4.33	3.03	0.43	1.57	0.21	1/4 UNF	0.91	0.98	1.42	1.78	0.87	0.35	2.68	2.76	3370	2540	2700	1.41
1 1/4	<b>70206RA</b>	<b>75206RA</b>	4.33	3.27	0.43	1.57	0.21	1/4 UNF	0.71	0.98	1.22	1.58	0.87	0.35	2.09	2.17	3370	2540	2920	1.42
1 7/16	70207R	75207R	4.33	3.27	0.43	1.84	0.29	1/4 UNF	0.79	0.98	1.38	1.79	1.00	0.38	2.64	2.72	4420	3440	2880	1.63
1 7/16	<b>70207N</b>	<b>75207N</b>	4.65	3.62	0.51	1.84	0.29	1/4 UNF	0.79	0.98	1.38	1.79	1.00	0.38	2.64	2.72	4420	3440	2920	1.93
1 1/2	70208SR	75208SR	4.33	3.03	0.43	2.07	0.31	5/16 UNF	0.75	0.98	1.42	1.93	1.18	0.43	2.68	2.76	5030	4020	2700	2.08
1 1/2	70208R	75208R	4.33	3.27	0.43	2.07	0.31	5/16 UNF	0.79	0.98	1.38	1.97	1.18	0.43	2.64	2.72	5030	4020	2800	1.97
1 1/2	70208N	75208N	4.65	3.62	0.51	2.07	0.31	5/16 UNF	0.79	0.98	1.38	1.97	1.18	0.43	2.64	2.72	5030	4020	2880	2.20
1 1/2	<b>70208FR</b>	<b>75208FR</b>	5.12	4.00	0.51	2.07	0.31	5/16 UNF	0.79	0.98	1.38	1.97	1.18	0.43	2.64	2.72	5030	4020	2920	2.16

<b>SHAFT LOCKING WITH ECCENTRIC RING</b>																				
3/4	<b>70204SRB</b>	<b>75204SRB</b>	3.39	2.48	0.43	1.31	0.20	1/4 UNF	0.59	0.75	0.98	1.51	0.92	0.30	1.97	2.05	2210	1480	2880	0.63
3/4	70204ARB	75204ARB	3.86	2.75	0.43	1.31	0.20	1/4 UNF	0.59	0.75	0.98	1.51	0.92	0.30	1.97	2.05	2210	1480	2880	0.70
1	70205SRB	75205SRB	3.39	2.48	0.43	1.50	0.20	1/4 UNF	0.59	0.75	0.98	1.51	0.92	0.30	1.97	2.05	2420	1750	2880	0.55
1	<b>70205ARB</b>	<b>75205ARB</b>	3.86	2.75	0.43	1.50	0.20	1/4 UNF	0.59	0.75	0.98	1.51	0.92	0.30	1.97	2.05	2420	1750	2920	0.99
1	70205RB	75205RB	4.33	3.27	0.43	1.50	0.20	1/4 UNF	0.75	0.98	1.22	1.67	0.92	0.30	2.09	2.17	2420	1750	2920	1.10
1 3/16	70206/OH	75206/OH	4.33	3.03	0.43	1.75	0.24	5/16 UNF	0.91	0.98	1.42	1.96	1.05	0.35	2.68	2.76	3370	2540	2700	1.61
1 3/16	<b>70206RB</b>	<b>75206RB</b>	4.33	3.27	0.43	1.75	0.24	5/16 UNF	0.71	0.98	1.22	1.76	1.05	0.35	2.09	2.17	3370	2540	2920	1.45
1 1/4	70206PRB	75206PRB	4.33	3.03	0.43	1.75	0.24	5/16 UNF	0.91	0.98	1.42	1.96	1.05	0.35	2.68	2.76	3370	2540	2700	1.62
1 1/4	<b>70206RAB</b>	<b>75206RAB</b>	4.33	3.27	0.43	1.75	0.24	5/16 UNF	0.71	0.98	1.22	1.76	1.05	0.35	2.09	2.17	3370	2540	2920	1.63
1 7/16	70207RB	75207RB	4.33	3.27	0.43	2.19	0.27	3/8 UNF	0.79	0.98	1.38	1.94	1.15	0.38	2.64	2.72	4420	3440	2880	1.76
1 7/16	<b>70207NB</b>	<b>75207NB</b>	4.65	3.62	0.51	2.19	0.27	3/8 UNF	0.79	0.98	1.38	1.94	1.15	0.38	2.64	2.72	4420	3440	2920	2.09
1 1/2	70208/OH	75208/OH	4.33	3.03	0.43	2.37	0.27	3/8 UNF	0.75	0.98	1.42	2.03	1.28	0.43	2.68	2.76	5030	4020	2700	2.16
1 1/2	70208RB	75208RB	4.33	3.27	0.43	2.37	0.27	3/8 UNF	0.79	0.98	1.38	2.07	1.28	0.43	2.64	2.72	5030	4020	2800	2.42
1 1/2	70208NB	75208NB	4.65	3.62	0.51	2.37	0.27	3/8 UNF	0.79	0.98	1.38	2.07	1.28	0.43	2.64	2.72	5030	4020	2880	2.53
1 1/2	<b>70208FRB</b>	<b>75208FRB</b>	5.12	4.00	0.51	2.37	0.27	3/8 UNF	0.79	0.98	1.38	2.07	1.28	0.43	2.64	2.72	5030	4020	2920	2.46

**NOTE THAT THE STAINLESS STEEL INSERTS ARE AVAILABLE IN THE**



Polypropylene

HOUSINGS IN POLYPROPYLENE CAN BE FURNISHED UNDER REQUEST. FOR FURTHER INFORMATION CONTACT OUR ENGINEERING DEPARTMENT.

The dimensions of the housings related to codes printed in bold letters, are unified according to the international standards.

# Series UFL-Z

## HOUSING AVAILABLE IN THESE COLORS



FOR HOUSINGS IN WHITE COLORS JUST  
ADD "-W" TO PART NUMBER  
(example "code 74201Z-W")

### TECHNICAL INFORMATION

- **Complete sealed units.**
- **Resistance to corrosion:**
  - Polyamide version (PA): good resistance to many corrosive chemicals such as water, oils, greases, gasoline, milk, wine, alcoholic beverages.
- **Load capacity:**
  - Polyamide version (PA): high load capacity.
- **Continuous operating temperature:**
  - Polyamide version (PA): from 0°F to +195°F. This version maintains good dimensional stability at the maximum indicated temperature.
- **Economical operation.**
  - Long life, maintenance free.
- **Self-alignment:**
  - Max. misalignment between shaft and housing: 2°.
- **Concept and design to meet all safety requirements.**
- **Interchangeability:**
  - Interchangeable with standard cast iron flanged supports.



**Flanged bearing support  
series UFL-Z  
for plain shafts**  
dia  $\frac{1}{2}$ " -  $\frac{9}{16}$ " -  $\frac{5}{8}$ " -  $\frac{11}{16}$ " -  $\frac{3}{4}$ "



see also... Features: page 176

Lubrication/maintenance: 177

Mounting instructions: 178

Calculation of load capacity  
and bearing life: 180

Accessories: 172

Chemical resistance: 188

### COMPONENTS

- 1 Housing in plastic material.
- 2 Adjustable ball bearing, pre-lubricated by means of grease-nipple or a quick coupler.
- 3 Ball-type grease-nipple.
- 4 Clip-on safety cap (closed version).
- 5 Clip-on safety cap (open version).
- 6 Washer UNI 6592.
- 7 Spacers to reinforce bolt holes.
- 8 Rotary shaft seal ring with extra dust-protection lip.
- 9 Heavy duty O-Ring.

### MAX. RADIAL LOAD CAPACITY OF HOUSING

Values indicated in the table above, are obtained at 73°F. Strength of housing indicated on page 180.

### VERSION IN POLYAMIDE (PA) MATERIALS

- Reinforced polyamide housing.
- High quality ball bearing in chrome steel.
- Grease-nipple in nickel plated brass.
- Safety cap in polypropylene.
- Washers in stainless steel AISI 304 - DIN 1.4301.
- Spacers in nickel plated brass.
- Seal and O-Ring in NBR-rubber.

### COLOR

- Bearing support in black and white.
- Safety cap in yellow.
- For sufficient quantities parts can be produced in different colors.

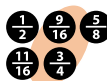
ON REQUEST  
THESE SUPPORTS  
ARE AVAILABLE



series UFL-Z



Plain Shaft



Dia inches

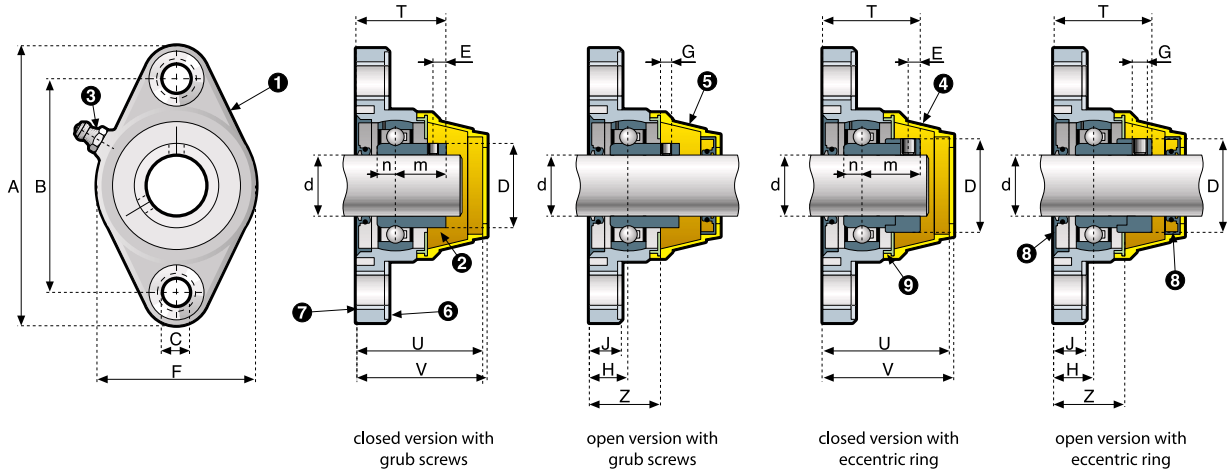


Waterproof



Polyamide

# Series UFL-Z



Ø d inch.	code version		dimensions (inches)													bearing load ratings		max. radial load capacity on plastic housing PA (lbf)	weight (lb)		
	closed	open	A	B	C	D	E	F	G	H	J	Z	T	m	n	U	V			dynamic C (lbf)	static Co (lbf)
<b>SHAFT LOCKING WITH GRUB SCREWS</b>																					
1/2	<b>74201Z</b>	<b>79201Z</b>	3.94	3.01	0.43	0.95	0.21	2.20	1/4 UNF	0.69	0.47	1.02	1.31	0.62	0.26	1.85	1.93	1640	1070	1460	0.59
9/16	<b>74202Z</b>	<b>79202Z</b>	3.94	3.01	0.43	0.95	0.21	2.20	1/4 UNF	0.69	0.47	1.02	1.31	0.62	0.26	1.85	1.93	1640	1070	1460	0.59
5/8	<b>74016Z</b>	<b>79016Z</b>	3.94	3.01	0.43	0.95	0.21	2.20	1/4 UNF	0.69	0.47	1.02	1.31	0.62	0.26	1.85	1.93	1640	1070	1460	0.59
11/16	<b>74203Z</b>	<b>79203Z</b>	3.94	3.01	0.43	0.95	0.21	2.20	1/4 UNF	0.69	0.47	1.02	1.31	0.62	0.26	1.85	1.93	1640	1070	1460	0.59
3/4	74204Z	79204Z	3.94	3.01	0.43	1.12	0.21	2.20	1/4 UNF	0.61	0.47	1.02	1.33	0.72	0.30	1.85	1.93	2210	1480	1400	0.70
<b>SHAFT LOCKING WITH ECCENTRIC RING</b>																					
1/2	<b>74201ZB</b>	<b>79201ZB</b>	3.94	3.01	0.43	1.12	0.20	2.20	1/4 UNF	0.69	0.47	1.02	1.56	0.87	0.26	1.85	1.93	1640	1070	1460	0.62
9/16	<b>74202ZB</b>	<b>79202ZB</b>	3.94	3.01	0.43	1.12	0.20	2.20	1/4 UNF	0.69	0.47	1.02	1.56	0.87	0.26	1.85	1.93	1640	1070	1460	0.62
5/8	<b>74016ZB</b>	<b>79016ZB</b>	3.94	3.01	0.43	1.12	0.20	2.20	1/4 UNF	0.69	0.47	1.02	1.56	0.87	0.26	1.85	1.93	1640	1070	1460	0.62
11/16	<b>74203ZB</b>	<b>79203ZB</b>	3.94	3.01	0.43	1.12	0.20	2.20	1/4 UNF	0.69	0.47	1.02	1.56	0.87	0.26	1.85	1.93	1640	1070	1460	0.62
3/4	74204ZB	79204ZB	3.94	3.01	0.43	1.31	0.20	2.20	1/4 UNF	0.61	0.47	1.02	1.53	0.92	0.30	1.85	1.93	2210	1480	1400	0.81

NOTE THAT THE  
STAINLESS STEEL  
INSERTS  
ARE AVAILABLE IN THE



Polypropylene

HOUSINGS IN POLYPROPYLENE CAN BE FURNISHED UNDER REQUEST.  
FOR FURTHER INFORMATION CONTACT OUR ENGINEERING DEPARTMENT.

The dimensions of the housings related to codes printed in bold letters, are unified according to the international standards.

# Series UCFH-R

HOUSING AVAILABLE  
IN THESE COLORS



FOR HOUSINGS IN WHITE COLORS JUST  
ADD "-W" TO PART NUMBER  
(example "code 74201NR-W")

## TECHNICAL INFORMATION

- Complete sealed units.
- Resistance to corrosion.
- High load capacity.
- Good dimensional stability at the maximum indicated temperature.
- Self-alignment:  
Max.misalignment between shaft and housing: 2.0°.
- Low maintenance and trouble-free operation.
- Easy cleaning.
- Ball bearing pre-lubricated with long-life grease, which is ideal in applications within humid conditions, water, alkaline or acid solutions.
- Concept and design to meet all safety requirements.
- Interchangeability:  
Interchangeable with standard cast iron flanged supports.
- Application in the food, beverage and pharmaceutical industry.

New line of flange bearings created through new technology which will help equipment builders meet the requirements of the USDA and other government agencies as they relate to the prevention of contamination of food products and the growth of bacteria.



Flange bearing with solid housings series UCFH-R for plain shafts

dia  $1/2'' - 9/16'' - 5/8'' - 11/16'' - 3/4''$   
 $1'' - 13/16'' - 1 1/4'' - 1 7/16'' - 1 1/2''$



see also... Features: page 176

Lubrication/maintenance: 177

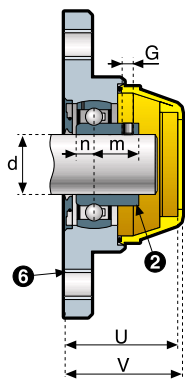
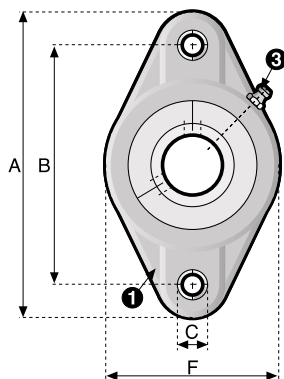
Mounting instructions: 178

Calculation of load capacity and bearing life: 180

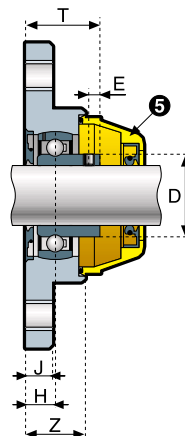
Accessories: 172

Chemical resistance: 188

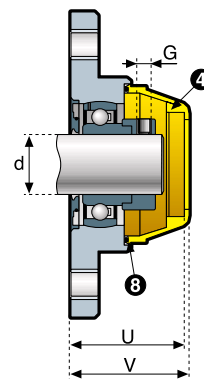
**ON REQUEST  
THESE SUPPORTS  
ARE AVAILABLE**



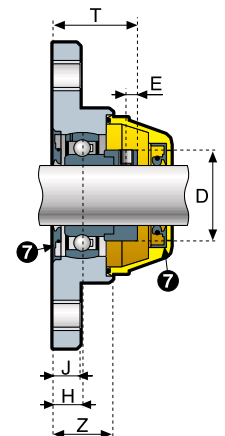
closed version  
with grub screws



open version  
with grub screws



closed version  
with eccentric ring



open version  
with eccentric ring

## COMPONENTS

- 1 Housing in plastic material.
- 2 Adjustable ball bearing, pre-lubricated by means of grease-nipple or a quick coupler.
- 3 Ball-type grease-nipple.
- 4 Clip-on safety cap (closed version).
- 5 Clip-on safety cap (open version).
- 6 Spacers to reinforce bolt holes.
- 7 Rotary shaft seal ring with extra dust-protection lip.
- 8 Heavy duty O-Ring.

## MAX. RADIAL LOAD CAPACITY OF HOUSING

Values indicated in the table above, are obtained at 73°F. Strength of housing indicated on page 180.

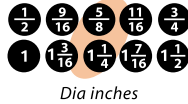
## VERSION IN POLYAMIDE (PA) MATERIALS

- Reinforced polyamide housing.
- High quality ball bearing in chrome steel.
- Grease-nipple in nickel plated brass.
- Safety cap in polypropylene.
- Spacers in nickel plated brass.
- Seal and O-Ring in NBR-rubber.

## COLOR

- Bearing support in grey, white or black.
- Safety cap in yellow.
- For sufficient quantities parts can be produced in different colors.

# Series UCFH-R



NOTE THAT THE STAINLESS STEEL INSERTS ARE AVAILABLE IN THE COMPLETELY SEALED

Ø d inch.	code GREY version		dimensions (inches)														bearing load ratings		max. radial load capacity on plastic housing PA (lbf)	weight (lb)
	closed	open	A	B	C	D	E	F	G	H	J	Z	T	m	n	U	V	dynamic C (lbf)		

SHAFT LOCKING WITH GRUB SCREWS																					
1/2	<b>74201HR</b>	<b>79201HR</b>	3.90	3.01	0.43	0.95	0.21	2.20	1/4 UNF	0.65	0.39	1.02	1.27	0.62	0.26	1.57	1.65	1640	1070	1460	0.42
9/16	<b>74202HR</b>	<b>79202HR</b>	3.90	3.01	0.43	0.95	0.21	2.20	1/4 UNF	0.65	0.39	1.02	1.27	0.62	0.26	1.57	1.65	1640	1070	1460	0.42
5/8	<b>74016HR</b>	<b>79016HR</b>	3.90	3.01	0.43	0.95	0.21	2.20	1/4 UNF	0.65	0.39	1.02	1.27	0.62	0.26	1.57	1.65	1640	1070	1460	0.42
11/16	<b>74203HR</b>	<b>79203HR</b>	3.90	3.01	0.43	0.95	0.21	2.20	1/4 UNF	0.65	0.39	1.02	1.27	0.62	0.26	1.57	1.65	1640	1070	1460	0.42
3/4	<b>74204HR</b>	<b>79204HR</b>	4.49	3.54	0.43	1.12	0.21	2.52	1/4 UNF	0.61	0.39	1.02	1.33	0.72	0.30	1.89	1.97	2210	1480	1690	0.46
1	<b>74205HR</b>	<b>79205HR</b>	5.12	3.90	0.43	1.34	0.21	2.76	1/4 UNF	0.67	0.49	1.14	1.45	0.78	0.30	2.05	2.13	2430	1770	1800	0.70
1 3/16	<b>74206HR</b>	<b>79206HR</b>	5.83	4.61	0.43	1.57	0.23	3.31	1/4 UNF	0.57	0.49	1.14	1.44	0.87	0.35	2.20	2.28	3370	2540	1980	1.03
1 1/4	<b>74206HRA</b>	<b>79206HRA</b>	5.83	4.61	0.43	1.57	0.23	3.31	1/4 UNF	0.57	0.49	1.14	1.44	0.87	0.35	2.20	2.28	3370	2540	1980	1.03
1 7/16	<b>74207HR</b>	<b>79207HR</b>	6.42	5.12	0.55	1.84	0.29	3.54	1/4 UNF	0.71	0.63	1.30	1.71	1.00	0.38	2.36	2.44	4430	3440	2020	1.36
1 1/2	<b>74208HR</b>	<b>79208HR</b>	6.89	5.67	0.55	2.07	0.31	4.06	5/16 UNF	0.71	0.79	1.38	1.89	1.18	0.43	2.28	2.36	5040	4020	2810	1.81

SHAFT LOCKING WITH ECCENTRIC RING																					
1/2	<b>74201HRB</b>	<b>79201HRB</b>	3.90	3.01	0.43	1.12	0.20	2.20	1/4 UNF	0.65	0.39	1.02	1.52	0.87	0.26	1.57	1.65	1640	1070	1460	0.46
9/16	<b>74202HRB</b>	<b>79202HRB</b>	3.90	3.01	0.43	1.12	0.20	2.20	1/4 UNF	0.65	0.39	1.02	1.52	0.87	0.26	1.57	1.65	1640	1070	1460	0.46
5/8	<b>74016HRB</b>	<b>79016HRB</b>	3.90	3.01	0.43	1.12	0.20	2.20	1/4 UNF	0.65	0.39	1.02	1.52	0.87	0.26	1.57	1.65	1640	1070	1460	0.46
11/16	<b>74203HRB</b>	<b>79203HRB</b>	3.90	3.01	0.43	1.12	0.20	2.20	1/4 UNF	0.65	0.39	1.02	1.52	0.87	0.26	1.57	1.65	1640	1070	1460	0.46
3/4	<b>74204HRB</b>	<b>79204HRB</b>	4.49	3.54	0.43	1.31	0.20	2.52	1/4 UNF	0.61	0.39	1.02	1.53	0.92	0.30	1.89	1.97	2210	1480	1690	0.53
1	<b>74205HRB</b>	<b>79205HRB</b>	5.12	3.90	0.43	1.50	0.20	2.76	1/4 UNF	0.67	0.49	1.14	1.59	0.92	0.30	2.05	2.13	2430	1770	1800	0.77
1 3/16	<b>74206HRB</b>	<b>79206HRB</b>	5.83	4.61	0.43	1.75	0.24	3.31	5/16 UNF	0.57	0.49	1.14	1.62	1.05	0.35	2.20	2.28	3370	2540	1980	1.12
1 1/4	<b>74206HRAB</b>	<b>79206HRAB</b>	5.83	4.61	0.43	1.75	0.24	3.31	5/16 UNF	0.57	0.49	1.14	1.62	1.05	0.35	2.20	2.28	3370	2540	1980	1.12
1 7/16	<b>74207HRB</b>	<b>79207HRB</b>	6.42	5.12	0.55	2.19	0.28	3.54	3/8 UNF	0.71	0.63	1.30	1.86	1.15	0.38	2.36	2.44	4430	3440	2020	1.50
1 1/2	<b>74208HRB</b>	<b>79208HRB</b>	6.89	5.67	0.55	2.37	0.28	4.06	3/8 UNF	0.71	0.79	1.38	1.99	1.28	0.43	2.28	2.36	5040	4020	2810	1.96

Ø d inch.	code BLACK version		dimensions (inches)														bearing load ratings		max. radial load capacity on plastic housing PA (lbf)	weight (lb)
	closed	open	A	B	C	D	E	F	G	H	J	Z	T	m	n	U	V	dynamic C (lbf)		

SHAFT LOCKING WITH GRUB SCREWS																					
1/2	<b>74201NR</b>	<b>79201NR</b>	3.90	3.01	0.43	0.95	0.21	2.20	1/4 UNF	0.65	0.39	1.02	1.27	0.62	0.26	1.57	1.65	1640	1070	1460	0.42
9/16	<b>74202NR</b>	<b>79202NR</b>	3.90	3.01	0.43	0.95	0.21	2.20	1/4 UNF	0.65	0.39	1.02	1.27	0.62	0.26	1.57	1.65	1640	1070	1460	0.42
5/8	<b>74016NR</b>	<b>79016NR</b>	3.90	3.01	0.43	0.95	0.21	2.20	1/4 UNF	0.65	0.39	1.02	1.27	0.62	0.26	1.57	1.65	1640	1070	1460	0.42
11/16	<b>74203NR</b>	<b>79203NR</b>	3.90	3.01	0.43	0.95	0.21	2.20	1/4 UNF	0.65	0.39	1.02	1.27	0.62	0.26	1.57	1.65	1640	1070	1460	0.42
3/4	<b>74204NR</b>	<b>79204NR</b>	4.49	3.54	0.43	1.12	0.21	2.52	1/4 UNF	0.61	0.39	1.02	1.33	0.72	0.30	1.89	1.97	2210	1480	1690	0.46
1	<b>74205NR</b>	<b>79205NR</b>	5.12	3.90	0.43	1.34	0.21	2.76	1/4 UNF	0.67	0.49	1.14	1.45	0.78	0.30	2.05	2.13	2430	1770	1800	0.70
1 3/16	<b>74206NR</b>	<b>79206NR</b>	5.83	4.61	0.43	1.57	0.23	3.31	1/4 UNF	0.57	0.49	1.14	1.44	0.87	0.35	2.20	2.28	3370	2540	1980	1.03
1 1/4	<b>74206NRA</b>	<b>79206NRA</b>	5.83	4.61	0.43	1.57	0.23	3.31	1/4 UNF	0.57	0.49	1.14	1.44	0.87	0.35	2.20	2.28	3370	2540	1980	1.03
1 7/16	<b>74207NR</b>	<b>79207NR</b>	6.42	5.12	0.55	1.84	0.29	3.54	1/4 UNF	0.71	0.63	1.30	1.71	1.00	0.38	2.36	2.44	4430	3440	2020	1.36
1 1/2	<b>74208NR</b>	<b>79208NR</b>	6.89	5.67	0.55	2.07	0.31	4.06	5/16 UNF	0.71	0.79	1.38	1.89	1.18	0.43	2.28	2.36	5040	4020	2810	1.81

SHAFT LOCKING WITH ECCENTRIC RING																					
1/2	<b>74201NRB</b>	<b>79201NRB</b>	3.90	3.01	0.43	1.12	0.20	2.20	1/4 UNF	0.65	0.39	1.02	1.52	0.87	0.26	1.57	1.65	1640	1070	1460	0.46
9/16	<b>74202NRB</b>	<b>79202NRB</b>	3.90	3.01	0.43	1.12	0.20	2.20	1/4 UNF	0.65	0.39	1.02	1.52	0.87	0.26	1.57	1.65	1640	1070	1460	0.46
5/8	<b>74016NRB</b>	<b>79016NRB</b>	3.90	3.01	0.43	1.12	0.20	2.20	1/4 UNF	0.65	0.39	1.02	1.52	0.87	0.26	1.57	1.65	1640	1070	1460	0.46
11/16	<b>74203NRB</b>	<b>79203NRB</b>	3.90	3.01	0.43	1.12	0.20	2.20	1/4 UNF	0.65	0.39	1.02	1.52	0.87	0.26	1.57	1.65	1640	1070	1460	0.46
3/4	<b>74204NRB</b>	<b>79204NRB</b>	4.49	3.54	0.43	1.31	0.20	2.52	1/4 UNF	0.61	0.39	1.02	1.53	0.92	0.30	1.89	1.97	2210	1480	1690	0.53
1	<b>74205NRB</b>	<b>79205NRB</b>	5.12	3.90	0.43	1.50	0.20	2.76	1/4 UNF	0.67	0.49	1.14	1.59	0.92	0.30	2.05	2.13	2430	1770	1800	0.77
1 3/16	<b>74206NRB</b>	<b>79206NRB</b>	5.83	4.61	0.43	1.75	0.24	3.31	5/16 UNF	0.57	0.49	1.14	1.62	1.05	0.35	2.20	2.28	3370	2540	1980	1.12
1 1/4	<b>74206NRAB</b>	<b>79206NRAB</b>	5.83	4.61	0.43	1.75	0.24	3.31	5/16 UNF	0.57	0.49	1.14	1.62	1.05	0.35	2.20	2.28	3370	2540	1980	1.12
1 7/16	<b>74207NRB</b>	<b>79207NRB</b>	6.42	5.12	0.55	2.19	0.28	3.54	3/8 UNF	0.71	0.63	1.30	1.86	1.15	0.38	2.36	2.44	4430	3440	2020	1.50
1 1/2	<b>74208NRB</b>	<b>79208NRB</b>	6.89	5.67	0.55	2.37	0.28	4.06	3/8 UNF	0.71	0.79	1.38	1.99	1.28	0.43	2.28	2.36	5040	4020	2810	1.96

The dimensions of the housings related to codes printed in bold letters, are unified according to the international standards.

# Series UCFL-W



## Flanged bearing support series UCFL-W for plain shafts

dia  $\frac{3}{4}$ " - 1" -  $1\frac{3}{16}$ "  
 $1\frac{1}{4}$ " -  $1\frac{7}{16}$ " -  $1\frac{1}{2}$ "



see also... Features: page 176

Lubrication/maintenance: 177

Mounting instructions: 178

Calculation of load capacity and bearing life: 180

Accessories: 172

Chemical resistance: 188

## HOUSING AVAILABLE IN THESE COLORS



FOR HOUSINGS IN WHITE COLORS JUST ADD "-W" TO PART NUMBER (example "code 74204W-W")

### TECHNICAL INFORMATION

- **Complete sealed units.**
- **Resistance to corrosion:**
  - Polyamide version (PA): good resistance to many corrosive chemicals such as water, oils, greases, gasoline, milk, wine, alcoholic beverages.
- **Load capacity:**
  - Polyamide version (PA): high load capacity.
- **Continuous operating temperature:**
  - Polyamide version (PA): from 0°F to +195°F. This version maintains good dimensional stability at the maximum indicated temperature.
- **Economical operation.**
  - Long life, maintenance free.
- **Self-alignment:**
  - Max. misalignment between shaft and housing: 2°.
- **Concept and design to meet all safety requirements.**
- **Interchangeability:**
  - Interchangeable with standard cast iron flanged supports.

### COMPONENTS

- 1 Housing in plastic material.
- 2 Adjustable ball bearing, pre-lubricated by means of grease-nipple or a quick coupler.
- 3 Ball-type grease-nipple (available upon request quick coupler to take semi-rigid hoses dia 0.16 inches in Rilsan, see accessories on page 172).
- 4 Clip-on safety cap (closed version).
- 5 Clip-on safety cap (open version).
- 6 Washer UNI 6592.
- 7 Spacers to reinforce bolt holes.
- 8 Rotary shaft seal ring with extra dust-protection lip.
- 9 Heavy duty O-Ring.

### MAX. RADIAL LOAD CAPACITY OF HOUSING

Values indicated in the table above, are obtained at 73°F. Strength of housing indicated on page 180.

### VERSION IN POLYAMIDE (PA) MATERIALS

- Reinforced polyamide housing.
- High quality ball bearing in chrome steel.
- Grease-nipple in nickel plated brass.
- Safety cap in polypropylene.
- Washers in stainless steel AISI 304 - DIN 1.4301.
- Spacers in nickel plated brass.
- Seal and O-Ring in NBR-rubber.

### COLOR

- Bearing support in black and white.
- Safety cap in yellow.
- For sufficient quantities parts can be produced in different colors.

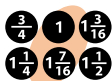
ON REQUEST  
 THESE SUPPORTS  
 ARE AVAILABLE



series UCFL-W



Plain Shaft



Dia inches

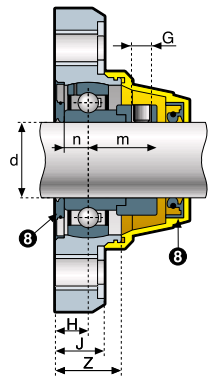
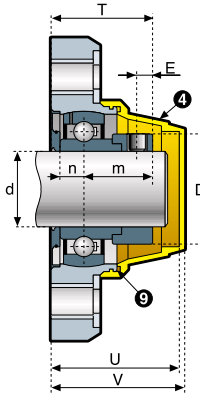
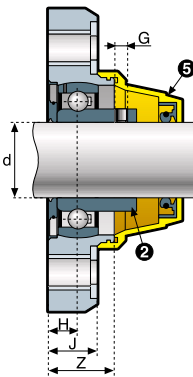
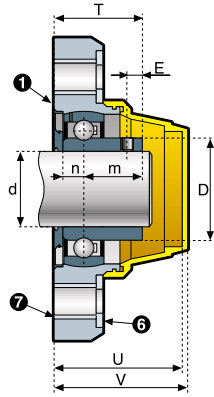
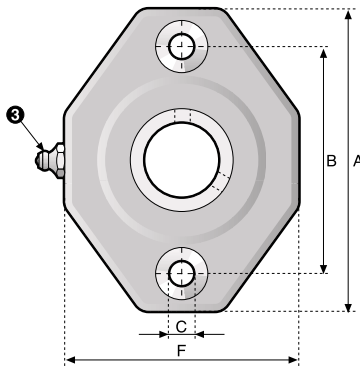


Waterproof



Polyamide

# Series UCFL-W



closed version with grub screws

open version with grub screws

closed version with eccentric ring

open version with eccentric ring

Ø d inch.	code version		dimensions (inches)														bearing load ratings		max. radial load capacity on plastic housing (lbf)	weight (lb)	
	closed	open	A	B	C	D	E	F	G	H	J	Z	T	m	n	U	V	dynamic C (lbf)			static Co (lbf)
<b>SHAFT LOCKING WITH GRUB SCREWS</b>																					
3/4	<b>70204W</b>	<b>75204W</b>	4.72	3.54	0.43	1.12	0.21	3.54	1/4 UNF	0.59	0.75	0.98	1.31	0.72	0.30	1.18	1.89	2210	1480	1690	0.90
1	70205W	75205W	4.72	3.54	0.43	1.34	0.21	3.54	1/4 UNF	0.59	0.75	0.98	1.37	0.78	0.30	1.18	1.89	2430	1770	1620	1.00
1	<b>70205WA</b>	<b>75205WA</b>	5.12	3.90	0.43	1.34	0.21	3.54	1/4 UNF	0.59	0.75	0.98	1.37	0.78	0.30	1.81	1.89	2430	1770	1710	1.14
1 3/16	70206W	75206W	4.72	3.54	0.43	1.57	0.23	3.54	1/4 UNF	0.51	0.75	0.98	1.38	0.87	0.35	1.81	1.89	3370	2540	1580	1.17
1 3/16	70206WE	75206WE	5.12	3.90	0.43	1.57	0.23	3.54	1/4 UNF	0.51	0.75	0.98	1.38	0.87	0.35	1.81	1.89	3370	2540	1700	1.32
1 3/16	<b>70206X</b>	<b>75206X</b>	5.75	4.61	0.43	1.57	0.23	3.86	1/4 UNF	0.79	0.98	1.38	1.66	0.87	0.35	2.64	2.72	3370	2540	2900	1.37
1 1/4	70206WA	75206WA	4.72	3.54	0.43	1.57	0.23	3.54	1/4 UNF	0.51	0.75	0.98	1.38	0.87	0.35	1.81	1.89	3370	2540	1580	1.16
1 1/4	70206WH	75206WH	5.12	3.90	0.43	1.57	0.23	3.54	1/4 UNF	0.51	0.75	0.98	1.38	0.87	0.35	1.81	1.89	3370	2540	1700	1.32
1 1/4	<b>70206XA</b>	<b>75206XA</b>	5.75	4.61	0.43	1.57	0.23	3.86	1/4 UNF	0.79	0.98	1.38	1.66	0.87	0.35	2.64	2.72	3370	2540	2900	1.38
1 7/16	70207X	75207X	5.75	4.61	0.43	1.84	0.29	3.86	1/4 UNF	0.67	0.98	1.38	1.67	1.00	0.38	2.64	2.72	4430	3440	2880	1.66
1 7/16	<b>70207M</b>	<b>75207M</b>	6.26	5.12	0.51	1.84	0.29	4.13	1/4 UNF	0.79	0.98	1.38	1.79	1.00	0.38	2.64	2.72	4430	3440	3000	1.76
1 1/2	70208X	75208X	5.75	4.61	0.43	2.07	0.31	3.86	3/16 UNF	0.67	0.98	1.38	1.85	1.18	0.43	2.64	2.72	5040	4020	2810	2.00
1 1/2	70208M	75208M	6.26	5.12	0.51	2.07	0.31	4.13	3/16 UNF	0.79	0.98	1.38	1.97	1.18	0.43	2.64	2.72	5040	4020	2900	2.15
<b>SHAFT LOCKING WITH ECCENTRIC RING</b>																					
3/4	<b>70204WB</b>	<b>75204WB</b>	4.72	3.54	0.43	1.31	0.20	3.54	1/4 UNF	0.59	0.75	0.98	1.51	0.92	0.30	1.18	1.89	2210	1480	1690	0.93
1	70205WB	75205WB	4.72	3.54	0.43	1.50	0.20	3.54	1/4 UNF	0.59	0.75	0.98	1.51	0.92	0.30	1.18	1.89	2430	1770	1620	1.03
1	<b>70205WAB</b>	<b>75205WAB</b>	5.12	3.90	0.43	1.50	0.20	3.54	1/4 UNF	0.59	0.75	0.98	1.51	0.92	0.30	1.81	1.89	2430	1770	1710	1.17
1 3/16	70206WB	75206WB	4.72	3.54	0.43	1.75	0.24	3.54	3/16 UNF	0.51	0.75	0.98	1.56	1.05	0.35	1.81	1.89	3370	2540	1580	1.20
1 3/16	70206WEB	75206WEB	5.12	3.90	0.43	1.75	0.24	3.54	3/16 UNF	0.51	0.75	0.98	1.56	1.05	0.35	1.81	1.89	3370	2540	1700	1.35
1 3/16	<b>70206XB</b>	<b>75206XB</b>	5.75	4.61	0.43	1.75	0.24	3.86	3/16 UNF	0.79	0.98	1.38	1.84	1.05	0.35	2.64	2.72	3370	2540	2900	1.40
1 1/4	70206WAB	75206WAB	4.72	3.54	0.43	1.75	0.24	3.54	3/16 UNF	0.51	0.75	0.98	1.56	1.05	0.35	1.81	1.89	3370	2540	1580	1.17
1 1/4	70206WHB	75206WHB	5.12	3.90	0.43	1.75	0.24	3.54	3/16 UNF	0.51	0.75	0.98	1.56	1.05	0.35	1.81	1.89	3370	2540	1700	1.35
1 1/4	<b>70206XAB</b>	<b>75206XAB</b>	5.75	4.61	0.43	1.75	0.24	3.86	3/16 UNF	0.79	0.98	1.38	1.84	1.05	0.35	2.64	2.72	3370	2540	2900	1.43
1 7/16	70207XB	75207XB	5.75	4.61	0.43	2.19	0.27	3.86	3/8 UNF	0.67	0.98	1.38	1.82	1.15	0.38	2.64	2.72	4430	3440	2880	1.69
1 7/16	<b>70207MB</b>	<b>75207MB</b>	6.26	5.12	0.51	2.19	0.27	4.13	3/8 UNF	0.79	0.98	1.38	1.94	1.15	0.38	2.64	2.72	4430	3440	3000	1.79
1 1/2	70208XB	75208XB	5.75	4.61	0.43	2.37	0.27	3.86	3/8 UNF	0.67	0.98	1.38	1.95	1.28	0.43	2.64	2.72	5040	4020	2810	2.03
1 1/2	70208MB	75208MB	6.26	5.12	0.51	2.37	0.27	4.13	3/8 UNF	0.79	0.98	1.38	2.07	1.28	0.43	2.64	2.72	5040	4020	2900	2.18

NOTE THAT THE STAINLESS STEEL INSERTS ARE AVAILABLE IN THE



Polypropylene

HOUSINGS IN POLYPROPYLENE CAN BE FURNISHED UNDER REQUEST. FOR FURTHER INFORMATION CONTACT OUR ENGINEERING DEPARTMENT.

The dimensions of the housings related to codes printed in bold letters, are unified according to the international standards.

# Series UCFC-Y

## HOUSING AVAILABLE IN THESE COLORS



FOR HOUSINGS IN WHITE COLORS JUST  
ADD "-W" TO PART NUMBER  
(example "code 70206Y-W")

### TECHNICAL INFORMATION

- **Complete sealed units.**
- **Resistance to corrosion:**
  - Polyamide version (PA): good resistance to many corrosive chemicals such as water, oils, greases, gasoline, milk, wine, alcoholic beverages.
- **Load capacity:**
  - Polyamide version (PA): high load capacity.
- **Continuous operating temperature:**
  - Polyamide version (PA): from 0°F to +195°F. This version maintains good dimensional stability at the maximum indicated temperature.
- **Economical operation.**
  - Long life, maintenance free.
- **Self-alignment:**
  - Max. misalignment between shaft and housing: 2°.
- **Concept and design to meet all safety requirements.**
- **Interchangeability:**
  - Interchangeable with standard cast iron flanged supports.



**Flanged bearing support  
series UCFC-Y  
for plain shafts**  
dia 1<sup>3</sup>/<sub>16</sub>" - 1<sup>1</sup>/<sub>4</sub>" - 1<sup>7</sup>/<sub>16</sub>"



see also... Features: page 176

Lubrication/maintenance: 177

Mounting instructions: 178

Calculation of load capacity  
and bearing life: 180

Accessories: 172

Chemical resistance: 188

### COMPONENTS

- 1 Housing in plastic material.
- 2 Adjustable ball bearing, pre-lubricated by means of grease-nipple or a quick coupler.
- 3 Ball-type grease-nipple (available upon request quick coupler to take semi-rigid hoses dia 0.16 inches in Rilsan, see accessories on page 172).
- 4 Clip-on safety cap (closed version).
- 5 Clip-on safety cap (open version).
- 6 Washer UNI 6592.
- 7 Spacers to reinforce bolt holes.
- 8 Rotary shaft seal ring with extra dust-protection lip.
- 9 Heavy duty O-Ring.

### MAX. RADIAL LOAD CAPACITY OF HOUSING

Values indicated in the table above, are obtained at 73°F. Strength of housing indicated on page 180.

### VERSION IN POLYAMIDE (PA) MATERIALS

- Reinforced polyamide housing.
- High quality ball bearing in chrome steel.
- Grease-nipple in nickel plated brass.
- Safety cap in polypropylene.
- Washers in stainless steel AISI 304 - DIN 1.4301.
- Spacers in nickel plated brass.
- Seal and O-Ring in NBR-rubber.

### COLOR

- Bearing support in black and white.
- Safety cap in yellow.
- For sufficient quantities parts can be produced in different colors.

AVAILABLE ON  
SPECIAL



series UCFC-Y



Plain Shaft



Dia inches

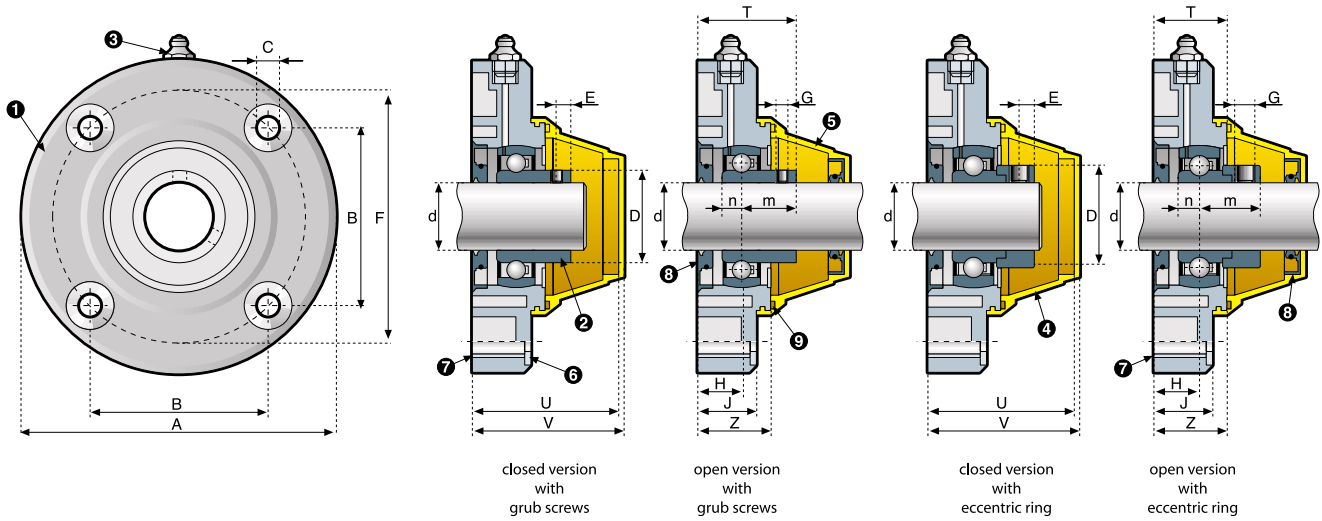


Waterproof



Polyamide

# Series UCFC-Y



Ø d inches	code version		dimensions (inches)														bearing load ratings		max. radial load capacity on plastic housing PA (lbf)	weight (lb)	
	closed	open	A	B	C	D	E	F	G	H	J	Z	T	m	n	U	V	dynamic C (lbf)			static Co (lbf)
<b>SHAFT LOCKING WITH GRUB SCREWS</b>																					
1 <sup>3</sup> / <sub>16</sub>	70206Y	75206Y	5.39	3.07	0.43	1.57	0.23	4.33	1/4 UNF	0.79	0.98	1.26	1.66	0.87	0.35	2.48	2.56	3370	2540	2920	1.63
1 <sup>1</sup> / <sub>4</sub>	70206YA	75206YA	5.39	3.07	0.43	1.57	0.23	4.33	1/4 UNF	0.79	0.98	1.26	1.66	0.87	0.35	2.48	2.56	3370	2540	2920	1.63
1 <sup>7</sup> / <sub>16</sub>	<b>70207Y</b>	<b>75207Y</b>	5.39	3.07	0.43	1.84	0.29	4.33	1/4 UNF	0.67	0.98	1.26	1.67	1.00	0.38	2.48	2.56	4430	3440	2880	1.85
<b>SHAFT LOCKING WITH ECCENTRIC RING</b>																					
1 <sup>3</sup> / <sub>16</sub>	70206YB	75206YB	5.39	3.07	0.43	1.75	0.24	4.33	5/16 UNF	0.79	0.98	1.26	1.84	1.05	0.35	2.48	2.56	3370	2540	2920	1.76
1 <sup>1</sup> / <sub>4</sub>	70206YAB	75206YAB	5.39	3.07	0.43	1.75	0.24	4.33	5/16 UNF	0.79	0.98	1.26	1.84	1.05	0.35	2.48	2.56	3370	2540	2920	1.76
1 <sup>7</sup> / <sub>16</sub>	<b>70207YB</b>	<b>75207YB</b>	5.39	3.07	0.43	2.19	0.27	4.33	1/4 UNF	0.67	0.98	1.26	1.82	1.15	0.38	2.48	2.56	4430	3440	2880	2.00

AVAILABLE ON SPECIAL



Polypropylene

HOUSINGS IN POLYPROPYLENE CAN BE FURNISHED UNDER REQUEST. FOR FURTHER INFORMATION CONTACT OUR ENGINEERING DEPARTMENT.

The dimensions of the housings related to codes printed in bold letters, are unified according to the international standards.

# Series UCFA-R

## HOUSING AVAILABLE IN THESE COLORS



FOR HOUSINGS IN WHITE COLORS JUST  
ADD "-W" TO PART NUMBER  
(example "code 72205FRA-W")



**Flange bearing with solid housings  
series UCFA-R  
for plain shafts**  
dia  $\frac{3}{4}$ " - 1" -  $1\frac{3}{16}$ " -  $1\frac{1}{4}$ "



see also... Features: page 176

Lubrication/maintenance: 177

Mounting instructions: 178

Calculation of load capacity  
and bearing life: 180

Accessories: 172

Chemical resistance: 188

## TECHNICAL INFORMATION

- Complete sealed units.
- Resistance to corrosion.
- High load capacity.
- Good dimensional stability at the maximum indicated temperature.
- Self-alignment:  
Max.misalignment between shaft  
and housing: 2.0°.
- Low maintenance and trouble-free  
operation.
- Easy cleaning.
- Ball bearing pre-lubricated with long-life  
grease, which is ideal in applications within  
humid conditions, water, alkaline or acid  
solutions.
- Concept and design to meet all safety  
requirements.
- Interchangeability:  
Interchangeable with standard cast iron  
flanged supports.
- Application in the food, beverage and  
pharmaceutical industry.

New line of flange bearings created through  
new technology which will help equipment  
builders meet the requirements of the USDA  
and other government agencies as they relate  
to the prevention of contamination of food  
products and the growth of bacteria.

## COMPONENTS

- 1 Housing in plastic material.
- 2 Adjustable ball bearing, pre-lubricated by means of grease-nipple or a quick coupler.
- 3 Ball-type grease-nipple.
- 4 Clip-on safety cap (closed version).
- 5 Clip-on safety cap (open version).
- 6 Washer for grease - nipple
- 7 Spacers to reinforce bolt holes.
- 8 Rotary shaft seal ring with extra dust-protection lip.
- 9 Heavy duty O-Ring.

## MAX. RADIAL LOAD CAPACITY OF HOUSING

Values indicated in the table above, are obtained at 73°F. Strength of housing indicated on page 180. Catalogue n.06/99 USA.

## MATERIALS

- Reinforced polyamide housing.
- High quality ball bearing in chrome steel.
- Grease-nipple in nickel plated brass.
- Safety cap in polypropylene.
- Spacers in nickel plated brass.
- Seal and O-Ring in NBR-rubber.
- Washer in polyethylene.

## COLOR

- Bearing support in black and white.
- Safety cap in yellow.
- For sufficient quantities parts can be produced in different colors.

**ON REQUEST  
THESE SUPPORTS  
ARE AVAILABLE**



series UCFA-R



Plain Shaft



Dia inches

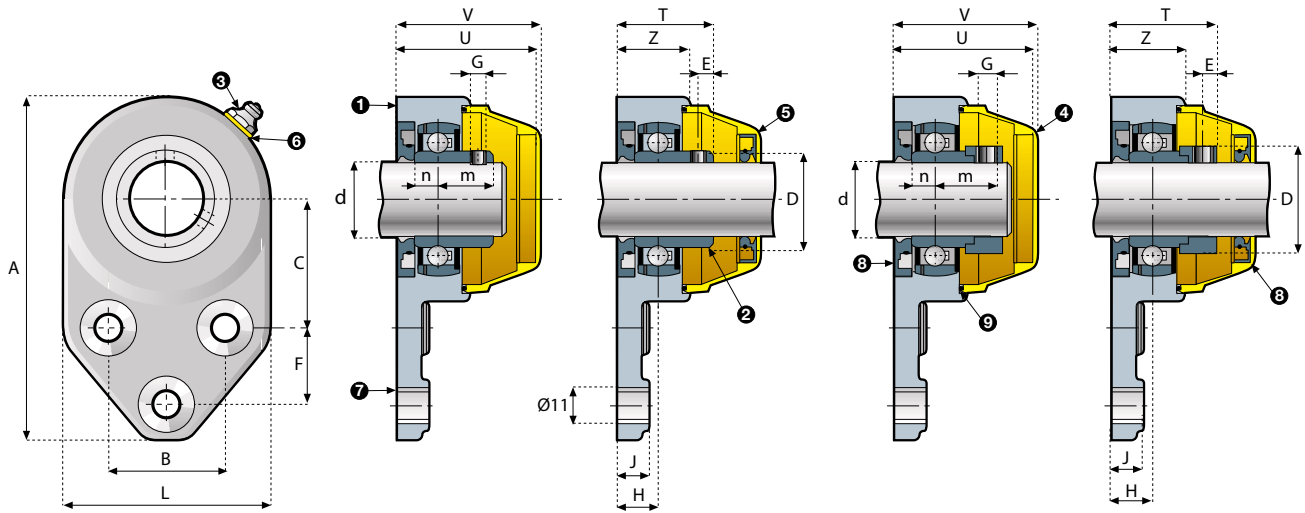


Waterproof



Polyamide

# Series UCFA-R



Ø d inch.	code version		dimensions (inches)														bearing load ratings		max. radial load capacity on plastic housing PA (lbf)	weight (lb)		
	closed	open	A	B	C	D	E	F	G	H	L	Z	J	T	m	n	U	V			dynamic C (lbf)	static Co (lbf)
<b>SHAFT LOCKING WITH GRUB SCREWS VERSION</b>																						
3/4	72205FRA	77205FRA	4.92	1.62	1.81	1.12	0.22	1.12	1/4 UNF	0.67	2.71	1.08	0.49	1.39	0.72	0.30	1.95	2.14	2210	1480	2140	0.77
1"	72205FR	77205FR	4.92	1.62	1.81	1.34	0.22	1.12	1/4 UNF	0.63	2.71	1.08	0.49	1.41	0.78	0.30	2.06	2.14	2430	1770	2023	0.88
1"	72206FRA	77206FRA	5.53	1.87	2.06	1.34	0.21	1.25	1/4 UNF	0.71	3.31	1.16	0.49	1.49	0.78	0.30	2.22	2.30	2430	1770	2470	0.99
1 3/16	72206FR	77206FR	5.53	1.87	2.06	1.57	0.23	1.25	1/4 UNF	0.67	3.31	1.16	0.49	1.54	0.87	0.35	2.22	2.30	3370	2540	2470	1.10
1 1/4	720206FR	770206FR	5.53	1.87	2.06	1.57	0.23	1.25	1/4 UNF	0.67	3.31	1.16	0.49	1.54	0.87	0.35	2.22	2.30	3370	2540	2470	1.10
<b>SHAFT LOCKING WITH ECCENTRIC RING</b>																						
3/4	72205FRBA	77205FRBA	4.92	1.62	1.81	1.31	0.20	1.12	1/4 UNF	0.67	2.71	1.08	0.49	1.59	0.92	0.30	1.95	2.014	2210	1480	2140	0.88
1"	72205FRB	77205FRB	4.92	1.62	1.81	1.50	0.20	1.16	1/4 UNF	0.63	2.71	1.08	0.49	1.55	0.92	0.30	2.06	2.14	2430	1770	2023	0.99
1"	72206FRBA	77206FRBA	5.53	1.87	2.06	1.50	0.20	1.25	1/4 UNF	0.71	3.31	1.16	0.49	1.63	0.92	0.30	2.22	2.30	2430	1770	2470	1.10
1 3/16	72206FRB	77206FRB	5.53	1.87	2.06	1.74	0.24	1.25	5/16 UNF	0.67	3.31	1.16	0.49	1.72	1.05	0.35	2.22	2.30	3370	2540	2470	1.21
1 1/4	720206FRB	770206FRB	5.53	1.87	2.06	1.74	0.24	1.25	5/16 UNF	0.67	3.31	1.16	0.49	1.72	1.05	0.35	2.22	2.30	3370	2540	2470	1.21

NOTE THAT THE STAINLESS STEEL INSERTS ARE AVAILABLE IN THE

# Series UCFG-R

## HOUSING AVAILABLE IN THESE COLORS



FOR HOUSINGS IN WHITE COLORS JUST  
ADD "-W" TO PART NUMBER  
(example "code 72205GR-W")



**Flanged bearing with solid housings  
series UCFG-R  
for plain shafts  
dia 1" - 1.3/16" - 1.1/4" - 1.7/16"**



see also... Features: page 176

Lubrication/maintenance: 177

Mounting instructions: 178

Calculation of load capacity  
and bearing life: 180

Accessories: 172

Chemical resistance: 188

### TECHNICAL INFORMATION

- **Complete sealed units.**
- **Resistance to corrosion.**
- **High load capacity.**
- **Good dimensional stability at the maximum indicated temperature**
- **Self-alignment:**  
Max misalignment between shaft and housing: 2.5°.
- **Low maintenance and trouble-free operation.**
- **Easy Cleaning.**
- **Ball bearing pre-lubricated with long-life grease, which is ideal in applications within humid conditions, water, alkaline or acid solutions.**
- **Concept and design to meet all safety requirements.**
- **Interchangeable :**  
Interchangeable with standard cast iron flanged supports.
- **Application in the food, beverage and pharmaceutical industry.**

### COMPONENTS

- 1 Housing in plastic material.
- 2 Adjustable ball bearing, pre-lubricated by means of grease-nipple or a quick coupler.
- 3 Ball-type grease-nipple.
- 4 Clip-on safety cap (closed version).
- 5 Clip-on safety cap (open version).
- 6 Washer for grease - nipple
- 7 Spacers to reinforce bolt holes.
- 8 Rotary shaft seal ring with extra dust-protection lip.
- 9 Heavy duty O-Ring.

### MAX. RADIAL LOAD CAPACITY OF HOUSING

Values indicated in the table above, are obtained at 73°F. Strength of housing indicated on page 180.

### VERSION IN POLYETHYLENE MATERIALS

- Reinforced polyamide housing.
- High quality ball bearing in chrome steel.
- Grease-nipple in nickel plated brass.
- Safety cap in polypropylene.
- Spacers in nickel plated brass.
- Seal and O-Ring in NBR-rubber.
- Washer in polyethylene.

### COLOR

- Bearing support in black and white.
- Safety cap in yellow.
- For sufficient quantities parts can be produced in different colors.

**ON REQUEST  
THESE SUPPORTS  
ARE AVAILABLE**



series UCFG-R



Plain Shaft

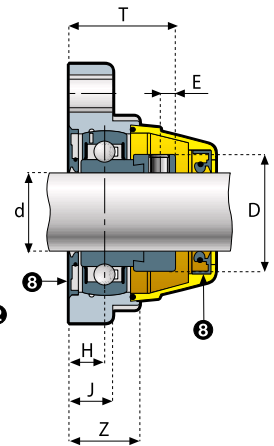
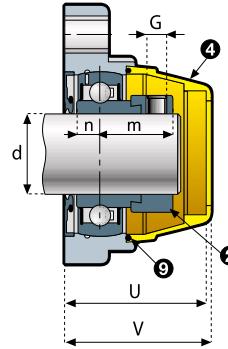
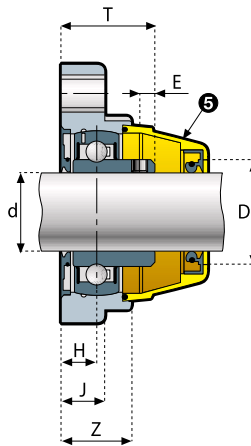
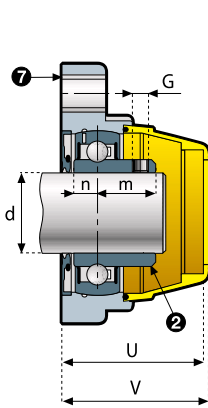
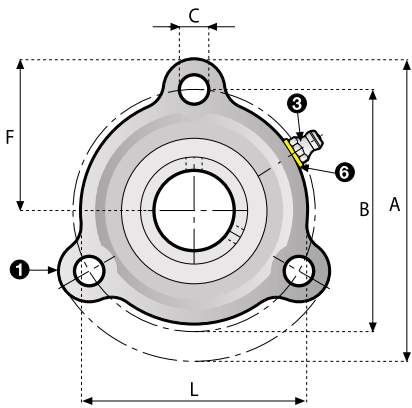


Dia inches



Polyamide

# Series **UCFG-R**



closed version  
with grub screws

open version  
with grub screws

closed version  
with eccentric ring

open version  
with eccentric ring

Ø d inch.	code version		dimensions (inches)														bearing load ratings		max. radial load capacity on plastic housing PA (lbf)	weight (lbf)		
	closed	open	A	B	C	D	E	F	G	H	L	J	Z	T	m	n	U	V			dynamic C (lbf)	static Co (lbf)
<b>SHAFT LOCKING WITH GRUB SCREWS</b>																						
1	<b>72205GR</b>	<b>77205GR</b>	3.76	3.00	0.33	1.34	0.22	1.87	1/4 UNF	0.53	2.79	0.65	0.98	1.31	0.78	0.30	1.89	1.97	2430	1770	1130	0.66
1 3/16	<b>72206GR</b>	<b>77206GR</b>	4.45	3.58	0.43	1.57	0.23	2.22	1/4 UNF	0.53	3.31	0.65	1.06	1.40	0.87	0.35	2.21	2.20	3370	2540	1350	0.77
1 1/4	<b>72206GRA</b>	<b>77206GRA</b>	4.45	3.58	0.43	1.57	0.23	2.22	1/4 UNF	0.53	3.31	0.65	1.06	1.40	0.87	0.35	2.12	2.20	3370	2540	1350	0.77
1 7/16	<b>72207GR</b>	<b>77207GR</b>	4.98	3.99	0.43	1.84	0.29	2.49	1/4 UNF	0.71	3.69	0.65	1.30	1.71	1.00	0.38	2.36	2.44	4430	3440	1800	0.88
<b>SHAFT LOCKING WITH ECCENTRIC RING</b>																						
1	<b>72205GRB</b>	<b>77205GRB</b>	3.76	3.00	0.33	1.50	0.20	1.87	1/4 UNF	0.53	2.79	0.65	0.98	1.45	0.92	0.30	1.89	1.97	2430	1770	1130	0.77
1 3/16	<b>72206GRB</b>	<b>77206GRB</b>	4.45	3.58	0.43	1.75	0.24	2.22	5/16 UNF	0.53	3.31	0.65	1.06	1.58	1.05	0.35	2.21	2.20	3370	2540	1350	0.88
1 1/4	<b>72206GRBA</b>	<b>77206GRBA</b>	4.45	3.58	0.43	1.75	0.24	2.22	5/16 UNF	0.53	3.31	0.65	1.06	1.58	1.05	0.35	2.12	2.20	3370	2540	1350	0.88
1 7/16	<b>72207GRB</b>	<b>77207GRB</b>	4.98	3.99	0.43	2.19	0.28	2.49	3/8 UNF	0.71	3.69	0.65	1.30	1.86	1.15	0.38	2.36	2.44	4430	3440	1800	0.99

**NOTE THAT THE STAINLESS STEEL INSERTS ARE AVAILABLE IN THE**



Polypropylene

HOUSINGS IN POLYPROPYLENE CAN BE FURNISHED UNDER REQUEST. FOR FURTHER INFORMATION CONTACT OUR ENGINEERING DEPARTMENT.

The dimensions of the housings related to codes printed in bold letters, are unified according to the international standards.

# Series UCP-R

## HOUSING AVAILABLE IN THESE COLORS



FOR HOUSINGS IN WHITE COLORS JUST  
ADD "-W" TO PART NUMBER  
(example "code 73201R-W")

### TECHNICAL INFORMATION

- **Complete sealed units.**
- **Resistance to corrosion:**
  - Polyamide version (PA): good resistance to many corrosive chemicals such as water, oils, greases, gasoline, milk, wine, alcoholic beverages.
- **Load capacity:**
  - Polyamide version (PA): high load capacity.
- **Continuous operating temperature:**
  - Polyamide version (PA): from 0°F to +195°F. This version maintains good dimensional stability at the maximum indicated temperature.
- **Economical operation.**
  - Long life, maintenance free.
- **Self-alignment:**
  - Max. misalignment between shaft and housing: 2°.
- **Concept and design to meet all safety requirements.**
- **Interchangeability:**
  - Interchangeable with standard cast iron flanged supports.



### Pillow block series UCP-R for plain shafts

dia  $\frac{1}{2}$ " -  $\frac{9}{16}$ " -  $\frac{5}{8}$ " -  $\frac{11}{16}$ " -  $\frac{3}{4}$ "  
 $1$ " -  $1\frac{3}{16}$ " -  $1\frac{1}{4}$ " -  $1\frac{7}{16}$ " -  $1\frac{1}{2}$ "



see also... Features: page 176

Lubrication/maintenance: 177

Mounting instructions: 178

Calculation of load capacity  
and bearing life: 180

Accessories: 172

Chemical resistance: 188

### COMPONENTS

- 1 Housing in plastic material.
- 2 Adjustable ball bearing, pre-lubricated by means of grease-nipple or a quick coupler.
- 3 Ball-type grease-nipple (available upon request quick coupler to take semi-rigid hoses dia 0.16 inches in Rilsan, see accessories on page 132).
- 4 Clip-on safety cap (closed version).
- 5 Clip-on safety cap (open version).
- 6 Spacers to reinforce bolt holes.
- 7 Rotary shaft seal ring with extra dust-protection lip.
- 8 Heavy duty O-Ring.

### MAX. RADIAL LOAD CAPACITY OF HOUSING

Values indicated in the table above, are obtained at 73°F. Strength of housing indicated on page 180.

### VERSION IN POLYAMIDE (PA) MATERIALS

- Reinforced polyamide housing.
- High quality ball bearing in chrome steel.
- Grease-nipple in nickel plated brass.
- Safety cap in polypropylene.
- Spacers in stainless steel AISI 304 - DIN 1.4301.
- Seal and O-Ring in NBR-rubber.

### COLOR

- Bearing support in black and white.
- Safety cap in yellow.
- For sufficient quantities parts can be produced in different colors.

ON REQUEST  
THESE SUPPORTS  
ARE AVAILABLE



series UCP-R



Plain Shaft



Dia inches

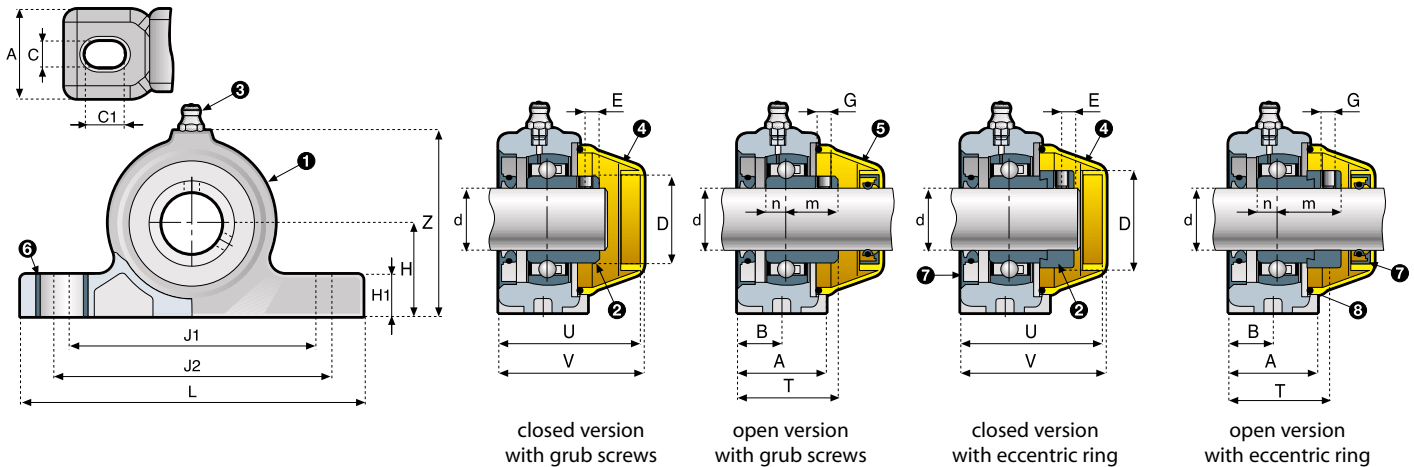


Waterproof



Polyamide

# Series UCP-R



Ø inch.	code version		dimensions (inches)																	bearing load ratings		max. radial load capacity on plastic housing PA (lbf)	weight (lb)	
	closed	open	A	B	C	C1	D	E	G	H	H1	L	Z	J1	J2	T	m	n	U	V	dynamic C (lbf)			static Co (lbf)
<b>SHAFT LOCKING WITH GRUB SCREWS</b>																								
1/2	<b>73201R</b>	<b>78201R</b>	1.18	0.14	0.43	0.67	0.95	0.21	1/4 UNF	1.19	0.63	4.92	2.40	3.50	3.98	1.35	0.62	0.26	1.67	1.75	1640	1070	1460	0.57
9/16	<b>73202R</b>	<b>78202R</b>	1.18	0.14	0.43	0.67	0.95	0.21	1/4 UNF	1.19	0.63	4.92	2.40	3.50	3.98	1.35	0.62	0.26	1.67	1.75	1640	1070	1460	0.57
5/8	<b>73016R</b>	<b>78016R</b>	1.18	0.14	0.43	0.67	0.95	0.21	1/4 UNF	1.19	0.63	4.92	2.40	3.50	3.98	1.35	0.62	0.26	1.67	1.75	1640	1070	1460	0.57
11/16	<b>73203R</b>	<b>78203R</b>	1.18	0.14	0.43	0.67	0.95	0.21	1/4 UNF	1.19	0.63	4.92	2.40	3.50	3.98	1.35	0.62	0.26	1.67	1.75	1640	1070	1460	0.57
3/4	<b>73204R</b>	<b>78204R</b>	1.22	0.12	0.43	0.67	1.12	0.22	1/4 UNF	1.31	0.63	5.00	2.64	3.58	4.05	1.45	0.72	0.30	2.07	2.15	2210	1480	1400	0.68
1	<b>73205R</b>	<b>78205R</b>	1.38	0.12	0.43	0.67	1.34	0.22	1/4 UNF	1.44	0.63	5.31	2.85	3.82	4.29	1.59	0.78	0.30	2.15	2.22	2430	1770	1770	0.86
13/16	<b>73206R</b>	<b>78206R</b>	1.61	0.18	0.51	0.87	1.57	0.23	1/4 UNF	1.69	0.87	6.14	3.42	4.37	5.08	1.86	0.87	0.35	2.50	2.58	3370	2540	2470	1.15
1 1/4	<b>73206RA</b>	<b>78206RA</b>	1.61	0.18	0.51	0.87	1.57	0.23	1/4 UNF	1.69	0.87	6.14	3.42	4.37	5.08	1.86	0.87	0.35	2.50	2.58	3370	2540	2470	1.15
1 7/16	<b>73207R</b>	<b>78207R</b>	1.77	0.12	0.51	0.87	1.84	0.29	1/4 UNF	1.87	0.85	6.45	3.74	4.61	5.31	2.00	1.00	0.38	2.62	2.70	4430	3440	2700	1.59
1 1/2	<b>73208R</b>	<b>78208R</b>	1.89	0.16	0.51	0.87	2.07	0.31	5/16 UNF	1.94	0.85	7.05	3.94	5.08	5.79	2.05	1.26	0.43	2.62	2.70	5040	4020	2800	1.92
<b>SHAFT LOCKING WITH ECCENTRIC RING</b>																								
1/2	<b>73201RE</b>	<b>78201RE</b>	1.18	0.14	0.43	0.67	1.12	0.20	1/4 UNF	1.19	0.63	4.92	2.40	3.50	3.98	1.60	0.87	0.26	1.67	1.75	1640	1070	1460	0.64
9/16	<b>73202RE</b>	<b>78202RE</b>	1.18	0.14	0.43	0.67	1.12	0.20	1/4 UNF	1.19	0.63	4.92	2.40	3.50	3.98	1.60	0.87	0.26	1.67	1.75	1640	1070	1460	0.64
5/8	<b>73016RE</b>	<b>78016RE</b>	1.18	0.14	0.43	0.67	1.12	0.20	1/4 UNF	1.19	0.63	4.92	2.40	3.50	3.98	1.60	0.87	0.26	1.67	1.75	1640	1070	1460	0.64
11/16	<b>73203RE</b>	<b>78203RE</b>	1.18	0.14	0.43	0.67	1.12	0.20	1/4 UNF	1.19	0.63	4.92	2.40	3.50	3.98	1.60	0.87	0.26	1.67	1.75	1640	1070	1460	0.64
3/4	<b>73204RE</b>	<b>78204RE</b>	1.22	0.12	0.43	0.67	1.31	0.20	1/4 UNF	1.31	0.63	5.00	2.64	3.58	4.05	1.65	0.92	0.30	2.07	2.15	2210	1480	1400	0.75
1	<b>73205RE</b>	<b>78205RE</b>	1.38	0.12	0.43	0.67	1.50	0.20	1/4 UNF	1.44	0.63	5.31	2.85	3.82	4.29	1.72	0.92	0.30	2.15	2.22	2430	1770	1770	0.97
13/16	<b>73206RE</b>	<b>78206RE</b>	1.61	0.18	0.51	0.87	1.75	0.23	3/16 UNF	1.69	0.87	6.14	3.42	4.37	5.08	2.04	1.05	0.35	2.50	2.58	3370	2540	2470	1.26
1 1/4	<b>73206RAE</b>	<b>78206RAE</b>	1.61	0.18	0.51	0.87	1.75	0.23	3/16 UNF	1.69	0.87	6.14	3.42	4.37	5.08	2.04	1.05	0.35	2.50	2.70	3370	2540	2470	1.26
1 7/16	<b>73207RE</b>	<b>78207RE</b>	1.77	0.12	0.51	0.87	2.19	0.28	3/8 UNF	1.87	0.85	6.45	3.74	4.61	5.31	2.15	1.15	0.38	2.62	2.70	4430	3440	2700	1.76
1 1/2	<b>73208RE</b>	<b>78208RE</b>	1.89	0.16	0.51	0.87	2.37	0.28	3/8 UNF	1.94	0.85	7.05	3.94	5.08	5.79	2.14	1.36	0.43	2.62	2.70	5040	4020	2800	2.18

NOTE THAT THE STAINLESS STEEL INSERTS ARE AVAILABLE IN THE



Polypropylene

HOUSINGS IN POLYPROPYLENE CAN BE FURNISHED UNDER REQUEST. FOR FURTHER INFORMATION CONTACT OUR ENGINEERING DEPARTMENT.

The dimensions of the housings related to codes printed in bold letters, are unified according to the international standards.

# Series UCPA-R

## HOUSING AVAILABLE IN THESE COLORS



FOR HOUSINGS IN WHITE COLORS JUST  
ADD "-W" TO PART NUMBER  
(example "code 73204BR-W")

### TECHNICAL INFORMATION

- **Complete sealed units.**
- **Resistance to corrosion:**
  - Polyamide version (PA): good resistance to many corrosive chemicals such as water, oils, greases, gasoline, milk, wine, alcoholic beverages.
- **Load capacity:**
  - Polyamide version (PA): high load capacity.
- **Continuous operating temperature:**
  - Polyamide version (PA): from 0°F to +195°F. This version maintains good dimensional stability at the maximum indicated temperature.
- **Economical operation.**
  - Long life, maintenance free.
- **Self-alignment:**
  - Max. misalignment between shaft and housing: 2°.
- **Concept and design to meet all safety requirements.**
- **Interchangeability:**
  - Interchangeable with standard cast iron flanged supports.



**Compact pillow block  
series UCPA-R  
for plain shafts**  
dia  $\frac{3}{4}$ " - 1" -  $1\frac{3}{16}$ " -  $1\frac{1}{4}$ "



see also... Features: page 176

Lubrication/maintenance: 177

Mounting instructions: 178

Calculation of load capacity  
and bearing life: 180

Accessories: 172

Chemical resistance: 188

### COMPONENTS

- 1 Housing in plastic material.
- 2 Adjustable ball bearing, pre-lubricated by means of grease-nipple or a quick coupler.
- 3 Ball-type grease-nipple (available upon request quick coupler to take semi-rigid hoses dia 0.16 inches in Rilsan, see accessories on page 132).
- 4 Clip-on safety cap (closed version).
- 5 Clip-on safety cap (open version).
- 6 Threaded bushing.
- 7 Rotary shaft seal ring with extra dust-protection lip.
- 8 Heavy duty O-Ring.

### MAX. RADIAL LOAD CAPACITY OF HOUSING

Values indicated in the table above, are obtained at 73°F. Strength of housing indicated on page 180.

### VERSION IN POLYAMIDE (PA) MATERIALS

- Reinforced polyamide housing.
- High quality ball bearing in chrome steel.
- Grease-nipple in nickel plated brass.
- Safety cap in polypropylene.
- Threaded bushing in brass.
- Seal and O-Ring in NBR-rubber.

### COLOR

- Bearing support in black and white.
- Safety cap in yellow.
- For sufficient quantities parts can be produced in different colors.

ON REQUEST  
THESE SUPPORTS  
ARE AVAILABLE



series UCPA-R



Plain Shaft



Dia inches

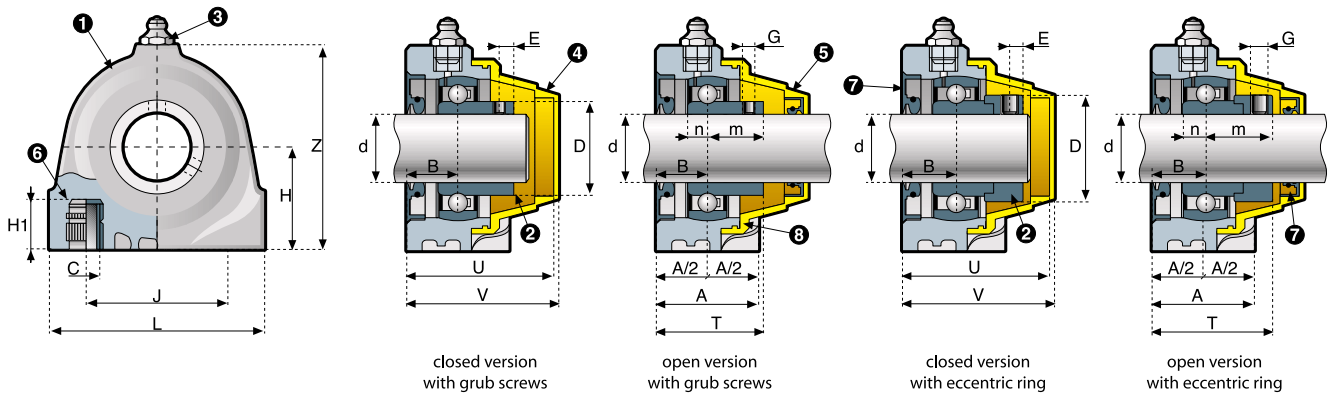


Waterproof



Polyamide

# Series UCPA-R



Ø d inch.	code version		dimensions (inches)														bearing load ratings		max. radial load capacity on plastic housing PA (lbf)	weight (lb)		
	closed	open	A	B	C	D	E	G	H	H1	L	Z	J	T	m	n	U	V			dynamic C (lbf)	static Co (lbf)
<b>SHAFT LOCKING WITH GRUB SCREWS</b>																						
3/4	<b>73204BR</b>	<b>78204BR</b>	1.26	0.69	M8	1.21	0.21	1/4 UNF	1.31	0.63	2.75	2.56	2.00	1.35	0.72	0.30	1.93	2.01	2210	1480	1460	0.70
1	<b>73205BR</b>	<b>78205BR</b>	1.42	0.77	M8	1.33	0.21	1/4 UNF	1.44	0.63	2.95	2.83	2.00	1.49	0.78	0.30	2.12	2.20	2430	1770	1770	0.85
1 3/16	<b>73206BR</b>	<b>78206BR</b>	1.57	0.79	M10	1.57	0.23	1/4 UNF	1.69	0.94	3.88	3.35	3.00	1.66	0.87	0.35	2.32	2.40	3370	2540	2470	1.15
1 1/4	<b>73206BAR</b>	<b>78206BAR</b>	1.57	0.79	M10	1.57	0.23	1/4 UNF	1.69	0.94	3.88	3.35	3.00	1.66	0.87	0.35	2.32	2.40	3370	2540	2470	1.15

<b>SHAFT LOCKING WITH ECCENTRIC RING</b>																						
3/4	<b>73204BRE</b>	<b>78204BRE</b>	1.26	0.69	M8	1.31	0.20	1/4 UNF	1.31	0.63	2.75	2.56	2.00	1.55	0.92	0.30	1.93	2.01	2210	1480	1460	0.72
1	<b>73205BRE</b>	<b>78205BRE</b>	1.42	0.77	M8	1.50	0.20	1/4 UNF	1.44	0.63	2.95	2.83	2.00	1.63	0.92	0.30	2.12	2.20	2430	1770	1770	0.87
1 3/16	<b>73206BRE</b>	<b>78206BRE</b>	1.57	0.79	M10	1.75	0.24	3/16 UNF	1.69	0.94	3.88	3.35	3.00	1.83	1.05	0.35	2.32	2.40	3370	2540	2470	1.17
1 1/4	<b>73206ARE</b>	<b>78206ARE</b>	1.57	0.79	M10	1.75	0.24	3/16 UNF	1.69	0.94	3.88	3.35	3.00	1.83	1.05	0.35	2.32	2.40	3370	2540	2470	1.17

Ø d inch.	code version		dimensions (inches)														bearing load ratings		max. radial load capacity on plastic housing PA (lbf)	weight (lb)		
	closed	open	A	B	C	D	E	G	H	H1	L	Z	J	T	m	n	U	V			dynamic C (lbf)	static Co (lbf)
<b>SHAFT LOCKING WITH GRUB SCREWS</b>																						
3/4	<b>73204BR-U</b>	<b>78204BR-U</b>	1.26	0.69	5/16 UNF	1.21	0.21	1/4 UNF	1.31	0.63	2.75	2.56	2.00	1.35	0.72	0.30	1.93	2.01	2210	1480	1460	0.70
1	<b>73205BR-U</b>	<b>78205BR-U</b>	1.42	0.77	3/8 UNF	1.33	0.21	1/4 UNF	1.44	0.63	2.95	2.83	2.00	1.49	0.78	0.30	2.12	2.20	2430	1770	1770	0.85
1 3/16	<b>73206BR-U</b>	<b>78206BR-U</b>	1.57	0.79	3/8 UNF	1.57	0.23	1/4 UNF	1.69	0.94	3.88	3.35	3.00	1.66	0.87	0.35	2.32	2.40	3370	2540	2470	1.15
1 1/4	<b>73206BAR-U</b>	<b>78206BAR-U</b>	1.57	0.79	3/8 UNF	1.57	0.23	1/4 UNF	1.69	0.94	3.88	3.35	3.00	1.66	0.87	0.35	2.32	2.40	3370	2540	2470	1.15

<b>SHAFT LOCKING WITH ECCENTRIC RING</b>																						
3/4	<b>73204BRE-U</b>	<b>78204BRE-U</b>	1.26	0.69	5/16 UNF	1.31	0.20	1/4 UNF	1.31	0.63	2.75	2.56	2.00	1.55	0.92	0.30	1.93	2.01	2210	1480	1460	0.72
1	<b>73205BRE-U</b>	<b>78205BRE-U</b>	1.42	0.77	3/8 UNF	1.50	0.20	1/4 UNF	1.44	0.63	2.95	2.83	2.00	1.63	0.92	0.30	2.12	2.20	2430	1770	1770	0.87
1 3/16	<b>73206BRE-U</b>	<b>78206BRE-U</b>	1.57	0.79	3/8 UNF	1.75	0.24	3/16 UNF	1.69	0.94	3.88	3.35	3.00	1.83	1.05	0.35	2.32	2.40	3370	2540	2470	1.17
1 1/4	<b>73206ARE-U</b>	<b>78206ARE-U</b>	1.57	0.79	3/8 UNF	1.75	0.24	3/16 UNF	1.69	0.94	3.88	3.35	3.00	1.83	1.05	0.35	2.32	2.40	3370	2540	2470	1.17

NOTE THAT THE STAINLESS STEEL INSERTS ARE AVAILABLE IN THE



Polypropylene

HOUSINGS IN POLYPROPYLENE CAN BE FURNISHED UNDER REQUEST. FOR FURTHER INFORMATION CONTACT OUR ENGINEERING DEPARTMENT.

The dimensions of the housings related to codes printed in bold letters, are unified according to the international standards.

# Series UCT-R

## HOUSING AVAILABLE IN THESE COLORS



FOR HOUSINGS IN WHITE COLORS JUST  
ADD "-W" TO PART NUMBER  
(example "code 72204TR-W")

### TECHNICAL INFORMATION



Take-up support  
series UCT-R  
for plain shafts

dia  $\frac{3}{4}$ " - 1" -  $1\frac{3}{16}$ " -  $1\frac{1}{4}$ " -  $1\frac{7}{16}$ "



see also... Features: page 176

Lubrication/maintenance: 177

Mounting instructions: 178

Calculation of load capacity  
and bearing life: 180

Accessories: 172

Chemical resistance: 188

- **Complete sealed units.**
- **Resistance to corrosion:**
  - Polyamide version (PA): good resistance to many corrosive chemicals such as water, oils, greases, gasoline, milk, wine, alcoholic beverages.
- **Load capacity:**
  - Polyamide version (PA): high load capacity.
- **Continuous operating temperature:**
  - Polyamide version (PA): from 0°F to +195°F. This version maintains good dimensional stability at the maximum indicated temperature.
- **Economical operation.**
  - Long life, maintenance free.
- **Self-alignment:**
  - Max. misalignment between shaft and housing: 2°.
- **Concept and design to meet all safety requirements.**
- **Interchangeability:**
  - Interchangeable with standard cast iron flanged supports.

### COMPONENTS

- 1 Housing in plastic material.
- 2 Adjustable ball bearing, pre-lubricated by means of grease-nipple or a quick coupler.
- 3 Ball-type grease-nipple.
- 4 Clip-on safety cap (closed version).
- 5 Clip-on safety cap (open version).
- 6 Washer for grease-nipple.
- 7 Rotary shaft seal ring with extra dust-protection lip.
- 8 Heavy duty O-Ring.

### MAX. RADIAL LOAD CAPACITY OF HOUSING

Values indicated in the table above, are obtained at 73°F. Strength of housing indicated on page 180.

### VERSION IN POLYAMIDE (PA) MATERIALS

- Reinforced polyamide housing.
- High quality ball bearing in chrome steel.
- Grease-nipple in nickel plated brass.
- Safety cap in polypropylene.
- Washers in polyethylene.
- Seal and O-Ring in NBR-rubber.

### COLOR

- Bearing support in black and white.
- Safety cap in yellow.
- For sufficient quantities parts can be produced in different colors.

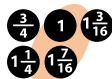
ON REQUEST  
THESE SUPPORTS  
ARE AVAILABLE



series UCT



Plain Shaft



Dia inches

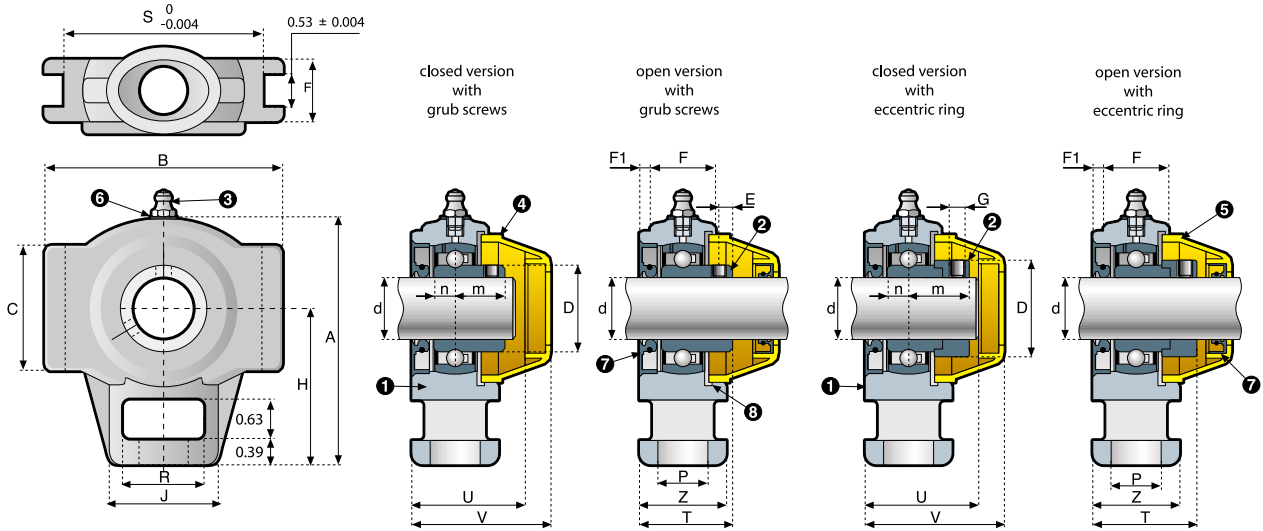


Waterproof



Polyamide

# Series UCT-R



Ø d inch.	code version		dimensions (inches)																	bearing load ratings		max. radial load capacity on plastic housing PA (lbf)	weight (lb)		
	closed	open	A	B	C	D	E	F	F1	G	H	DIA P	R	S	J	Z	T	m	n	U	V			dynamic C (lbf)	static Co (lbf)
<b>SHAFT LOCKING WITH GRUB SCREWS</b>																									
3/4	<b>72204TR</b>	<b>77204TR</b>	3.84	3.62	1.97	1.12	0.21	0.98	0.18	1/4UNF	2.44	0.75	1.26	2.99	1.77	1.34	1.39	0.72	0.30	1.75	2.15	2210	1480	1400	0.70
1	<b>72205TR</b>	<b>77205TR</b>	3.84	3.62	1.97	1.34	0.21	0.98	0.18	1/4UNF	2.44	0.75	1.26	2.99	1.77	1.34	1.45	0.78	0.30	1.75	2.15	2430	1770	1770	0.79
1 3/16	<b>72206TR</b>	<b>77206TR</b>	4.65	4.09	2.24	1.57	0.23	1.10	0.18	5/16UNF	2.83	0.87	1.46	3.50	2.20	2.80	1.60	0.87	0.35	2.03	2.43	3370	2540	2470	1.04
1 1/4	<b>72206TR</b>	<b>77206TR</b>	4.65	4.09	2.24	1.57	0.23	1.10	0.18	1/4UNF	2.83	0.57	1.46	3.50	2.20	2.80	1.60	0.87	0.35	2.03	2.43	3370	2540	2470	1.04
1 7/16	<b>72207TR</b>	<b>77207TR</b>	4.65	4.09	2.24	1.84	0.29	1.10	0.18	1/4UNF	2.83	0.87	1.46	3.50	2.20	2.80	1.73	1.00	0.38	2.03	2.43	4430	3440	2700	1.24
<b>SHAFT LOCKING WITH ECCENTRIC RING</b>																									
3/4	<b>72204TRB</b>	<b>77204TRB</b>	3.84	3.62	1.97	1.31	0.20	0.98	0.18	1/4UNF	2.44	0.75	1.26	2.99	1.77	1.34	1.59	0.92	0.30	1.75	2.15	2210	1480	1400	0.72
1	<b>72205TRB</b>	<b>77205TRB</b>	3.84	3.62	1.97	1.50	0.20	0.98	0.18	1/4UNF	2.44	0.75	1.26	2.99	1.77	1.34	1.59	0.92	0.30	1.75	2.15	2430	1770	1770	0.81
1 3/16	<b>72206TRB</b>	<b>77206TRB</b>	4.65	4.09	2.24	1.75	0.24	1.10	0.18	5/16UNF	2.83	0.87	1.46	3.50	2.20	2.80	1.78	1.05	0.35	2.03	2.43	3370	2540	2470	1.06
1 1/4	<b>72206TRB</b>	<b>77206TRB</b>	4.65	4.09	2.24	1.75	0.24	1.10	0.18	5/16UNF	2.83	0.57	1.46	3.50	2.20	2.80	1.78	1.05	0.35	2.03	2.43	3370	2540	2470	1.06
1 7/16	<b>72207TRB</b>	<b>77207TRB</b>	4.65	4.09	2.24	2.19	0.27	1.10	0.18	3/8UNF	2.83	0.87	1.46	3.50	2.20	2.80	1.88	1.15	0.38	2.03	2.43	4430	3440	2700	1.26

NOTE THAT THE STAINLESS STEEL INSERTS ARE AVAILABLE IN THE



Polypropylene

HOUSINGS IN POLYPROPYLENE CAN BE FURNISHED UNDER REQUEST. FOR FURTHER INFORMATION CONTACT OUR ENGINEERING DEPARTMENT.

The dimensions of the housings related to codes printed in bold letters, are unified according to the international standards.

# Series UCHA-R

## HOUSING AVAILABLE IN THESE COLORS



FOR HOUSINGS IN WHITE COLORS JUST  
ADD "-W" TO PART NUMBER  
(example "code 72204AR-W")

### TECHNICAL INFORMATION

- **Complete sealed units.**
- **Resistance to corrosion:**
  - Polyamide version (PA): good resistance to many corrosive chemicals such as water, oils, greases, gasoline, milk, wine, alcoholic beverages.
- **Load capacity:**
  - Polyamide version (PA): high load capacity.
- **Continuous operating temperature:**
  - Polyamide version (PA): from 0°F to +195°F. This version maintains good dimensional stability at the maximum indicated temperature.
- **Economical operation.**
  - Long life, maintenance free.
- **Self-alignment:**
  - Max. misalignment between shaft and housing: 2°.
- **Concept and design to meet all safety requirements.**
- **Interchangeability:**
  - Interchangeable with standard cast iron flanged supports.

**ON REQUEST  
THESE SUPPORTS  
ARE AVAILABLE**



### Cartridge support series UCHA-R for plain shafts

dia  $\frac{3}{4}$ " - 1" -  $1\frac{3}{16}$ " -  $1\frac{1}{4}$ " -  $1\frac{7}{16}$ "



see also... Features: page 176

Lubrication/maintenance: 177

Mounting instructions: 178

Calculation of load capacity  
and bearing life: 180

Accessories: 172

Chemical resistance: 188

### COMPONENTS

- 1 Housing in plastic material.
- 2 Adjustable ball bearing, pre-lubricated by means of grease-nipple or a quick coupler.
- 3 Ball-type grease-nipple.
- 4 Clip-on safety cap (closed version).
- 5 Clip-on safety cap (open version).
- 6 Threaded bushing.
- 7 Washer for grease-nipple.
- 8 Rotary shaft seal ring with extra dust-protection lip.
- 9 Heavy duty O-Ring.

### MAX. RADIAL LOAD CAPACITY OF HOUSING

Values indicated in the table above, are obtained at 73°F. Strength of housing indicated on page 180.

### VERSION IN POLYAMIDE (PA) MATERIALS

- Reinforced polyamide housing.
- High quality ball bearing in chrome steel.
- Grease-nipple in nickel plated brass.
- Safety cap in polypropylene.
- Threaded bushing in brass.
- Washers in polyethylene.
- Seal and O-Ring in NBR-rubber.

### COLOR

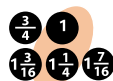
- Bearing support in black and white.
- Safety cap in yellow.
- For sufficient quantities parts can be produced in different colors.



series UCHA-R



Plain Shaft



Dia inches

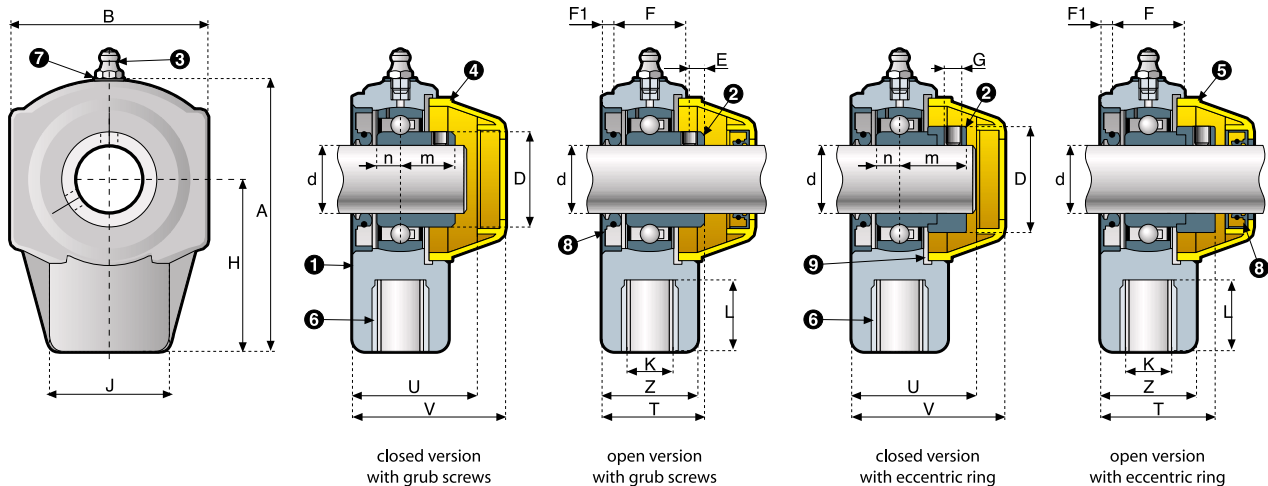


Waterproof



Polyamide

# Series UCHA-R



Ø d inch.	code version		dimensions (inches)																	bearing load ratings		max. radial load capacity on plastic housing PA (lbf)	weight (lb)	
	closed	open	A	B	C	D	E	F	F1	G	H	K	L	J	Z	T	m	n	U	V	dynamic C (lbf)			static Co (lbf)
<b>SHAFT LOCKING WITH GRUB SCREWS</b>																								
3/4	<b>72204AR</b>	<b>77204AR</b>	3.84	2.56	1.97	1.12	0.21	0.98	0.18	1/4 UNF	2.44	M16	1.10	1.77	1.34	1.39	0.72	0.30	1.75	2.15	2210	1480	1400	0.70
1	<b>72205AR</b>	<b>77205AR</b>	3.84	2.76	1.97	1.34	0.21	0.98	0.18	1/4 UNF	2.44	M20	1.10	1.77	1.34	1.45	0.78	0.30	1.75	2.15	2430	1770	1770	0.79
1 3/16	<b>72206AR</b>	<b>77206AR</b>	4.65	3.35	2.24	1.57	0.23	1.10	0.18	1/4 UNF	2.83	M24	1.10	2.20	1.46	1.60	0.87	0.35	2.03	2.43	3370	2540	2470	1.04
1 1/4	<b>720206AR</b>	<b>770206AR</b>	4.65	3.35	2.24	1.57	0.23	1.10	0.18	1/4 UNF	2.83	M24	1.10	2.20	1.46	1.60	0.87	0.35	2.03	2.43	3370	2540	2470	1.04
1 7/16	<b>72207AR</b>	<b>77207AR</b>	4.65	3.54	2.24	1.84	0.29	1.10	0.18	1/4 UNF	2.83	M24	1.10	2.20	1.46	1.73	1.00	0.38	2.03	2.43	4430	3440	2700	1.24

<b>SHAFT LOCKING WITH ECCENTRIC RING</b>																								
3/4	<b>72204ARB</b>	<b>77204ARB</b>	3.84	2.56	1.97	1.31	0.20	0.98	0.18	1/4 UNF	2.44	M16	1.10	1.77	1.34	1.59	0.92	0.30	1.75	2.15	2210	1480	1400	0.72
1	<b>72205ARB</b>	<b>77205ARB</b>	3.84	2.76	1.97	1.50	0.20	0.98	0.18	1/4 UNF	2.44	M20	1.10	1.77	1.34	1.59	0.92	0.30	1.75	2.15	2430	1770	1770	0.81
1 3/16	<b>72206ARB</b>	<b>77206ARB</b>	4.65	3.35	2.24	1.75	0.24	1.10	0.18	5/16 UNF	2.83	M24	1.10	2.20	1.46	1.78	1.05	0.35	2.03	2.43	3370	2540	2470	1.06
1 1/4	<b>720206ARB</b>	<b>770206ARB</b>	4.65	3.35	2.24	1.75	0.24	1.10	0.18	5/16 UNF	2.83	M24	1.10	2.20	1.46	1.78	1.05	0.35	2.03	2.43	3370	2540	2470	1.06
1 7/16	<b>72207ARB</b>	<b>77207ARB</b>	4.65	3.54	2.24	2.19	0.27	1.10	0.18	3/8 UNF	2.83	M24	1.10	2.20	1.46	1.88	1.15	0.38	2.03	2.43	4430	3440	2700	1.26

Ø d inch.	code version		dimensions (inches)																	bearing load ratings		max. radial load capacity on plastic housing PA (lbf)	weight (lb)	
	closed	open	A	B	C	D	E	F	F1	G	H	K	L	J	Z	T	m	n	U	V	dynamic C (lbf)			static Co (lbf)
<b>SHAFT LOCKING WITH GRUB SCREWS</b>																								
3/4	<b>72204AR-U</b>	<b>77204AR-U</b>	3.84	2.56	1.97	1.12	0.21	0.98	0.18	1/4 UNF	2.44	5/8 UNF	1.10	1.77	1.34	1.39	0.72	0.30	1.75	2.15	2210	1480	1400	0.70
1	<b>72205AR-U</b>	<b>77205AR-U</b>	3.84	2.76	1.97	1.34	0.21	0.98	0.18	1/4 UNF	2.44	3/4 UNF	1.10	1.77	1.34	1.45	0.78	0.30	1.75	2.15	2430	1770	1770	0.79
1 3/16	<b>72206AR-U</b>	<b>77206AR-U</b>	4.65	3.35	2.24	1.57	0.23	1.10	0.18	1/4 UNF	2.83	1" UNF	1.10	2.20	1.46	1.60	0.87	0.35	2.03	2.43	3370	2540	2470	1.04
1 1/4	<b>720206AR-U</b>	<b>770206AR-U</b>	4.65	3.35	2.24	1.57	0.23	1.10	0.18	1/4 UNF	2.83	1" UNF	1.10	2.20	1.46	1.60	0.87	0.35	2.03	2.43	3370	2540	2470	1.04
1 7/16	<b>72207AR-U</b>	<b>77207AR-U</b>	4.65	3.54	2.24	1.84	0.29	1.10	0.18	1/4 UNF	2.83	1" UNF	1.10	2.20	1.46	1.73	1.00	0.38	2.03	2.43	4430	3440	2700	1.24

<b>SHAFT LOCKING WITH ECCENTRIC RING</b>																								
3/4	<b>72204ARB-U</b>	<b>77204ARB-U</b>	3.84	2.56	1.97	1.31	0.20	0.98	0.18	1/4 UNF	2.44	5/8 UNF	1.10	1.77	1.34	1.59	0.92	0.30	1.75	2.15	2210	1480	1400	0.72
1	<b>72205ARB-U</b>	<b>77205ARB-U</b>	3.84	2.76	1.97	1.50	0.20	0.98	0.18	1/4 UNF	2.44	3/4 UNF	1.10	1.77	1.34	1.59	0.92	0.30	1.75	2.15	2430	1770	1770	0.81
1 3/16	<b>72206ARB-U</b>	<b>77206ARB-U</b>	4.65	3.35	2.24	1.75	0.24	1.10	0.18	5/16 UNF	2.83	1" UNF	1.10	2.20	1.46	1.78	1.05	0.35	2.03	2.43	3370	2540	2470	1.06
1 1/4	<b>720206ARB-U</b>	<b>770206ARB-U</b>	4.65	3.35	2.24	1.75	0.24	1.10	0.18	5/16 UNF	2.83	1" UNF	1.10	2.20	1.46	1.78	1.05	0.35	2.03	2.43	3370	2540	2470	1.06
1 7/16	<b>72207ARB-U</b>	<b>77207ARB-U</b>	4.65	3.54	2.24	2.19	0.27	1.10	0.18	3/8 UNF	2.83	1" UNF	1.10	2.20	1.46	1.88	1.15	0.38	2.03	2.43	4430	3440	2700	1.26

NOTE THAT THE STAINLESS STEEL INSERTS ARE AVAILABLE IN THE



Polypropylene

HOUSINGS IN POLYPROPYLENE CAN BE FURNISHED UNDER REQUEST. FOR FURTHER INFORMATION CONTACT OUR ENGINEERING DEPARTMENT.

The dimensions of the housings related to codes printed in bold letters, are unified according to the international standards.

# Series UCHE-R

## HOUSING AVAILABLE IN THESE COLORS



FOR HOUSINGS IN WHITE COLORS JUST  
ADD "-W" TO PART NUMBER  
(example "code 72204ER-W")

### TECHNICAL INFORMATION

- **Complete sealed units.**
- **Resistance to corrosion:**
  - Polyamide version (PA): good resistance to many corrosive chemicals such as water, oils, greases, gasoline, milk, wine, alcoholic beverages.
- **Load capacity:**
  - Polyamide version (PA): high load capacity.
- **Continuous operating temperature:**
  - Polyamide version (PA): from 0°F to +195°F. This version maintains good dimensional stability at the maximum indicated temperature.
- **Economical operation.**
  - Long life, maintenance free.
- **Self-alignment:**
  - Max. misalignment between shaft and housing: 2°.
- **Concept and design to meet all safety requirements.**
- **Interchangeability:**
  - Interchangeable with standard cast iron flanged supports.

**ON REQUEST  
THESE SUPPORTS  
ARE AVAILABLE**



### Cartridge take-up support series UCHE-R for plain shafts

dia  $\frac{3}{4}$ " - 1" -  $1\frac{3}{16}$ " -  $1\frac{1}{4}$ " -  $1\frac{7}{16}$ "



see also... Features: page 176

Lubrication/maintenance: 177

Mounting instructions: 178

Calculation of load capacity  
and bearing life: 180

Accessories: 172

Chemical resistance: 188

### COMPONENTS

- 1 Housing in plastic material.
- 2 Adjustable ball bearing, pre-lubricated by means of grease-nipple or a quick coupler.
- 3 Ball-type grease-nipple.
- 4 Clip-on safety cap (closed version).
- 5 Clip-on safety cap (open version).
- 6 Threaded bushing.
- 7 Washer for grease-nipple.
- 8 Rotary shaft seal ring with extra dust-protection lip.
- 9 Heavy duty O-Ring.

### MAX. RADIAL LOAD CAPACITY OF HOUSING

Values indicated in the table above, are obtained at 73°F. Strength of housing indicated on page 180.

### VERSION IN POLYAMIDE (PA) MATERIALS

- Reinforced polyamide housing.
- High quality ball bearing in chrome steel.
- Grease-nipple in nickel plated brass.
- Safety cap in polypropylene.
- Threaded bushing in brass.
- Washers in polyethylene.
- Seal and O-Ring in NBR-rubber.

### COLOR

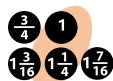
- Bearing support in black and white.
- Safety cap in yellow.
- For sufficient quantities parts can be produced in different colors.



series UCHE-R



Plain Shaft



Dia inches

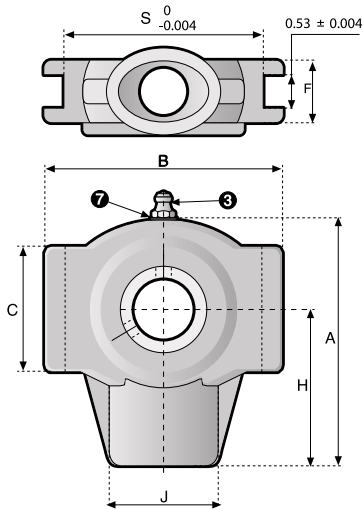


Waterproof



Polyamide

# Series UCHE-R

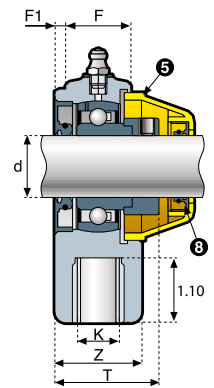
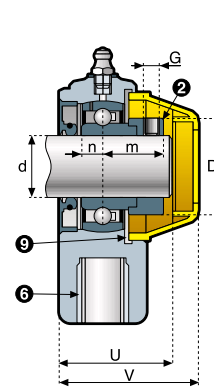
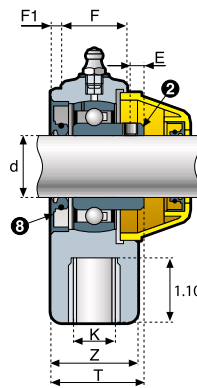
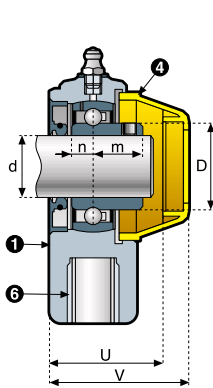


closed version with grub screws

open version with grub screws

closed version with eccentric ring

open version with eccentric ring



Ø d inch.	code version		dimensions (inches)														bearing load ratings		max. radial load capacity on plastic housing PA (lbf)	weight (lb)				
	closed	open	A	B	C	D	E	F	F1	G	H	K	S	J	Z	T	m	n			U	V	dynamic C (lbf)	static Co (lbf)
<b>SHAFT LOCKING WITH GRUB SCREWS</b>																								
3/4	<b>72204ER</b>	<b>77204ER</b>	3.84	3.62	1.97	1.12	0.21	0.98	0.18	1/4 UNF	2.44	M16	2.99	1.77	1.34	1.39	0.72	0.30	1.75	2.15	2210	1480	1400	0.70
1	<b>72205ER</b>	<b>77205ER</b>	3.84	3.62	1.97	1.34	0.21	0.98	0.18	1/4 UNF	2.44	M20	2.99	1.77	1.34	1.45	0.78	0.30	1.75	2.15	2430	1770	1770	0.79
1 1/16	<b>72206ER</b>	<b>77206ER</b>	4.65	4.09	2.24	1.57	0.23	1.10	0.18	1/4 UNF	2.83	M24	3.50	2.20	1.46	1.60	0.87	0.35	2.03	2.43	3370	2540	2470	1.04
1 1/4	<b>72206ER</b>	<b>77206ER</b>	4.65	4.09	2.24	1.57	0.23	1.10	0.18	1/4 UNF	2.83	M24	3.50	2.20	1.46	1.60	0.87	0.35	2.03	2.43	3370	2540	2470	1.04
1 7/16	<b>72207ER</b>	<b>77207ER</b>	4.65	4.09	2.24	1.84	0.29	1.10	0.18	1/4 UNF	2.83	M24	3.50	2.20	1.46	1.73	1.00	0.38	2.03	2.43	4430	3440	2700	1.24
<b>SHAFT LOCKING WITH ECCENTRIC RING</b>																								
3/4	<b>72204ERB</b>	<b>77204ERB</b>	3.84	3.62	1.97	1.31	0.20	0.98	0.18	1/4 UNF	2.44	M16	2.99	1.77	1.34	1.59	0.92	0.30	1.75	2.15	2210	1480	1400	0.72
1	<b>72205ERB</b>	<b>77205ERB</b>	3.84	3.62	1.97	1.50	0.20	0.98	0.18	1/4 UNF	2.44	M20	2.99	1.77	1.34	1.59	0.92	0.30	1.75	2.15	2430	1770	1770	0.81
1 3/16	<b>72206ERB</b>	<b>77206ERB</b>	4.65	4.09	2.24	1.75	0.24	1.10	0.18	5/16 UNF	2.83	M24	3.50	2.20	1.46	1.78	1.05	0.35	2.03	2.43	3370	2540	2470	1.06
1 1/4	<b>72206ERB</b>	<b>77206ERB</b>	4.65	4.09	2.24	1.75	0.24	1.10	0.18	5/16 UNF	2.83	M24	3.50	2.20	1.46	1.78	1.05	0.35	2.03	2.43	3370	2540	2470	1.06
1 7/16	<b>72207ERB</b>	<b>77207ERB</b>	4.65	4.09	2.24	2.19	0.27	1.10	0.18	1/4 UNF	2.83	M24	3.50	2.20	1.46	1.88	1.15	0.38	2.03	2.43	4430	3440	2700	1.26
<b>SHAFT LOCKING WITH ECCENTRIC RING</b>																								
3/4	<b>72204ER-U</b>	<b>77204ER-U</b>	3.84	3.62	1.97	1.12	0.21	0.98	0.18	1/4 UNF	2.44	5/8 UNF	2.99	1.77	1.34	1.39	0.72	0.30	1.75	2.15	2210	1480	1400	0.70
1	<b>72205ER-U</b>	<b>77205ER-U</b>	3.84	3.62	1.97	1.34	0.21	0.98	0.18	1/4 UNF	2.44	3/4 UNF	2.99	1.77	1.34	1.45	0.78	0.30	1.75	2.15	2430	1770	1770	0.79
1 1/16	<b>72206ER-U</b>	<b>77206ER-U</b>	4.65	4.09	2.24	1.57	0.23	1.10	0.18	1/4 UNF	2.83	1 UNF	3.50	2.20	1.46	1.60	0.87	0.35	2.03	2.43	3370	2540	2470	1.04
1 1/4	<b>72206ER-U</b>	<b>77206ER-U</b>	4.65	4.09	2.24	1.57	0.23	1.10	0.18	1/4 UNF	2.83	1 UNF	3.50	2.20	1.46	1.60	0.87	0.35	2.03	2.43	3370	2540	2470	1.04
1 7/16	<b>72207ER-U</b>	<b>77207ER-U</b>	4.65	4.09	2.24	1.84	0.29	1.10	0.18	1/4 UNF	2.83	1 UNF	3.50	2.20	1.46	1.73	1.00	0.38	2.03	2.43	4430	3440	2700	1.24
<b>SHAFT LOCKING WITH ECCENTRIC RING</b>																								
3/4	<b>72204ERB-U</b>	<b>77204ERB-U</b>	3.84	3.62	1.97	1.31	0.20	0.98	0.18	1/4 UNF	2.44	5/8 UNF	2.99	1.77	1.34	1.59	0.92	0.30	1.75	2.15	2210	1480	1400	0.72
1	<b>72205ERB-U</b>	<b>77205ERB-U</b>	3.84	3.62	1.97	1.50	0.20	0.98	0.18	1/4 UNF	2.44	3/4 UNF	2.99	1.77	1.34	1.59	0.92	0.30	1.75	2.15	2430	1770	1770	0.81
1 3/16	<b>72206ERB-U</b>	<b>77206ERB-U</b>	4.65	4.09	2.24	1.75	0.24	1.10	0.18	5/16 UNF	2.83	1 UNF	3.50	2.20	1.46	1.78	1.05	0.35	2.03	2.43	3370	2540	2470	1.06
1 1/4	<b>72206ERB-U</b>	<b>77206ERB-U</b>	4.65	4.09	2.24	1.75	0.24	1.10	0.18	5/16 UNF	2.83	1 UNF	3.50	2.20	1.46	1.78	1.05	0.35	2.03	2.43	3370	2540	2470	1.06
1 7/16	<b>72207ERB-U</b>	<b>77207ERB-U</b>	4.65	4.09	2.24	2.19	0.27	1.10	0.18	1/4 UNF	2.83	1 UNF	3.50	2.20	1.46	1.88	1.15	0.38	2.03	2.43	4430	3440	2700	1.26

NOTE THAT THE STAINLESS STEEL INSERTS ARE AVAILABLE IN THE



Polypropylene

HOUSINGS IN POLYPROPYLENE CAN BE FURNISHED UNDER REQUEST. FOR FURTHER INFORMATION CONTACT OUR ENGINEERING DEPARTMENT.

The dimensions of the housings related to codes printed in bold letters, are unified according to the international standards.

